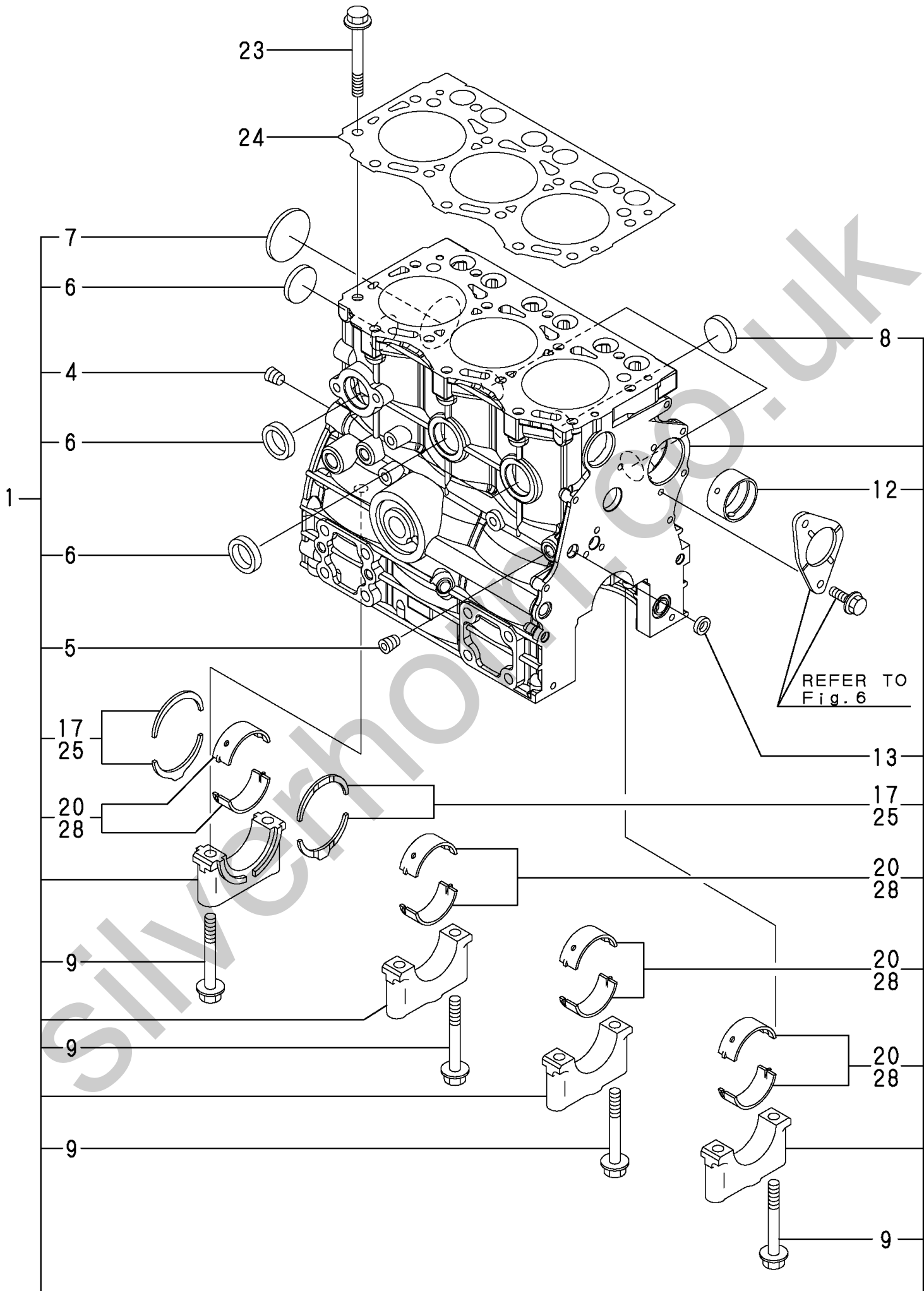


[Info]
PcNo=Y00B7140
PcName=3TNV76-PBV
JpnUse=1
JpnSec1=fGf`fWf`
JpnSec2=-§ -
JpnSec3=TNV
JpnPreface=0
EngUse=1
EngSec1=ENGINE
EngSec2=SMALL VERTICAL (ViO)
EngSec3=TNV
EngPreface=0

Silverhorn.CO.UK

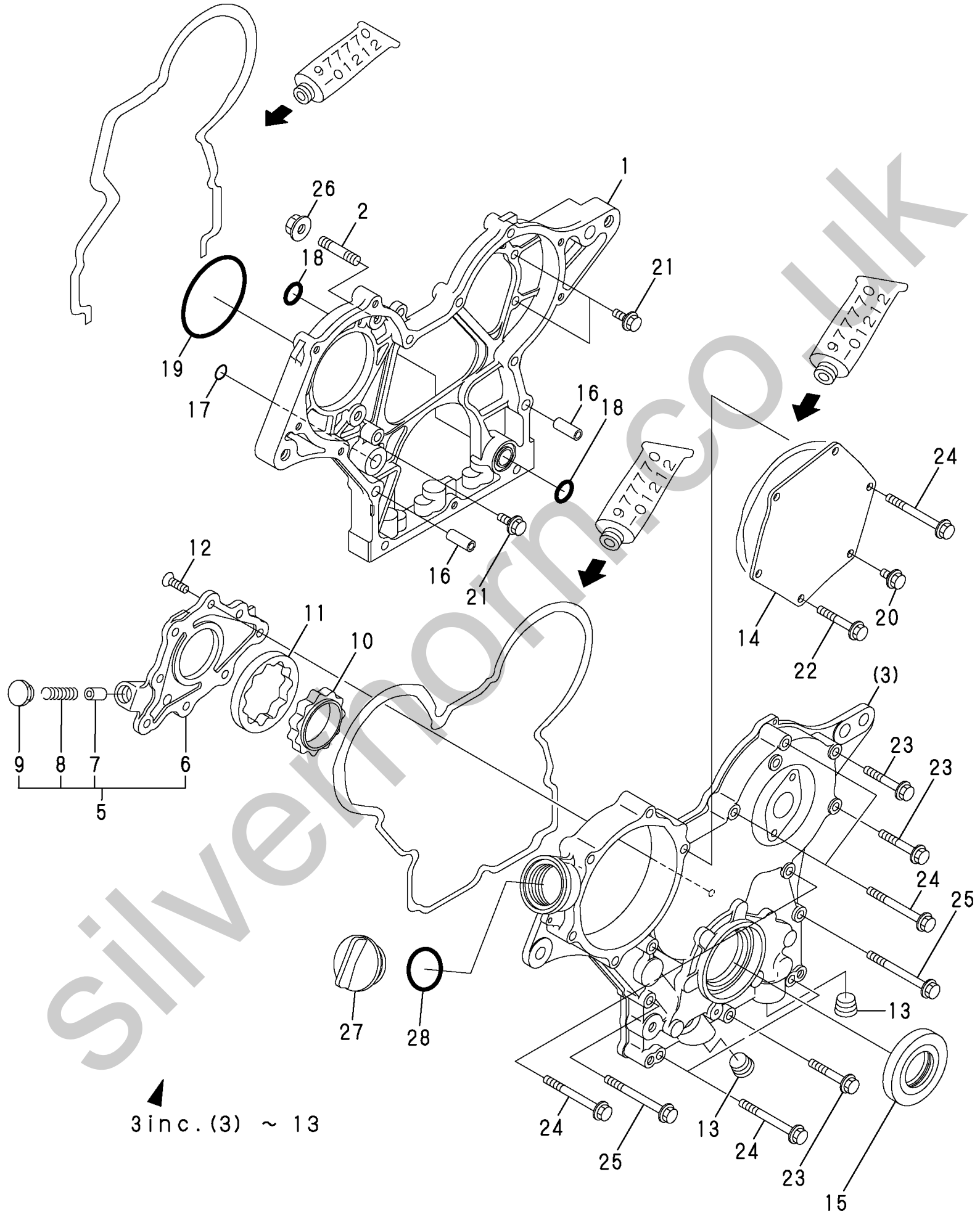
1,1,,719717-01560,, "BLOCK ASSY, CYLINDER",1,,,,,,,,,,,,,
4,3,,124160-01910,, "PLUG PT1/4",1,,,,,,,,,,,,,
5,3,,124060-01050,, "PLUG PT1/8",1,,,,,,,,,,,,,
6,3,,105311-01090,, "PLUG 30 (SUS)",4,,,,,,,,,,,,,
7,3,,119623-01250,, "PLUG 45",1,,,,,,,,,,,,,
8,3,,119285-01990,, "PLUG 25",3,,,,,,,,,,,,,
9,3,,119620-02020,, BOLT,8,,,,,,,,,,,,,
12,3,,119717-02410,, "BUSH, CAMSHAFT",1,,,,,,,,,,,,,
13,3,,27241-120000,, "PLUG 12",1,,,,,,,,,,,,,
17,2,,119717-02930,, "BEARING, THRUST",2,,,,,,,,,,,,,
20,2,,719717-02900,, "MAIN BEARING SET",4,,,,,,,,,2,,,,,,,,,
23,1,,119810-01200,, "BOLT, CYL. HEAD",14,,,,,,,,,,,,,
24,1,,119717-01330,, "GASKET, CYL.HEAD",1,,,,,,,,,,,,,
25,1,,119810-02940,, "BEARING,THRUST .25OS",2,,,,,,,,,1,,,,,,,,,
28,1,,719717-02910,, "MAIN METAL US=0.25",4,,,,,,,,,3,,,,,,,,,

Silverhorn.CO.UK



1,1,,119717-01501,, "CASE, GEAR",1,,,,,,,,,,,,,,,,,,,,,
2,1,,119717-01570,, "BOLT, STUD M8",3,,,,,,,,,,,,,,,,,,,,,
3,1,,119717-01590,, "COVER ASSY,GEAR CASE",1,,,,,,,,,,,,,,,,,,,,,
5,2,,119717-32100,, "COVER ASSY, PUMP",1,,,,,,,,,,,,,,,,,,,,,
6,3,,119717-32080,, "COVER, LUB.OIL PUMP",1,,,,,,,,,,,,,,,,,,,,,
7,3,,129900-32130,, "VALVE, RELIEF",1,,,,,,,,,,,,,,,,,,,,,
8,3,,129001-32320,, "SPRING",1,,,,,,,,,,,,,,,,,,,,,
9,3,,129001-32330,, "PLUG",1,,,,,,,,,,,,,,,,,,,,,
10,2,,119717-32110,, "ROTOR, INNER",1,,,,,,,,,,,,,,,,,,,,,
11,2,,119717-32120,, "ROTOR, OUTER",1,,,,,,,,,,,,,,,,,,,,,
12,2,,119802-32130,, "SCREW, M6X16",8,,,,,,,,,,,,,,,,,,,,,
13,2,,23876-030000,, "PLUG PT3/8,SCREW",2,,,,,,,,,,,,,,,,,,,,,
14,1,,119717-01750,, "COVER, PUMP TIMING",1,,,,,,,,,,,,,,,,,,,,,
15,1,,119620-01800,, "SEAL, OIL",1,,,,,,,,,,,,,,,,,,,,,
16,1,,119660-01911,, "PIPE, KNOCK",4,,,,,,,,,,,,,,,,,,,,,
17,1,,119624-32040,, "O-RING P 12.0",1,,,,,,,,,,,,,,,,,,,,,
18,1,,119717-32050,, "O-RING, P17.0",3,,,,,,,,,,,,,,,,,,,,,
19,1,,121850-51960,, "O-RING, F.I.PUMP",1,,,,,,,,,,,,,,,,,,,,,
20,1,,26106-060122,, "BOLT M 6X 12 PLATED",1,,,,,,,,,,,,,,,,,,,,,
21,1,,26106-060162,, "BOLT M 6X 16 PLATED",4,,,,,,,,,,,,,,,,,,,,,
22,1,,26106-060402,, "BOLT M 6X 40 PLATED",4,,,,,,,,,,,,,,,,,,,,,
23,1,,26106-060402,, "BOLT M 6X 40 PLATED",3,,,,,,,,,,,,,,,,,,,,,
24,1,,26106-060602,, "BOLT M 6X 60 PLATED",7,,,,,,,,,,,,,,,,,,,,,
25,1,,26106-060652,, "BOLT M 6X 65 PLATED",2,,,,,,,,,,,,,,,,,,,,,
26,1,,26306-080002,, "NUT",3,,,,,,,,,,,,,,,,,,,,,
27,1,,124160-01751,, "COVER,FILLER",1,,,,,,,,,,,,,,,,,,,,,
28,1,,24311-000320,, "O-RING 1A P-32.0",1,,,,,,,,,,,,,,,,,,,,,

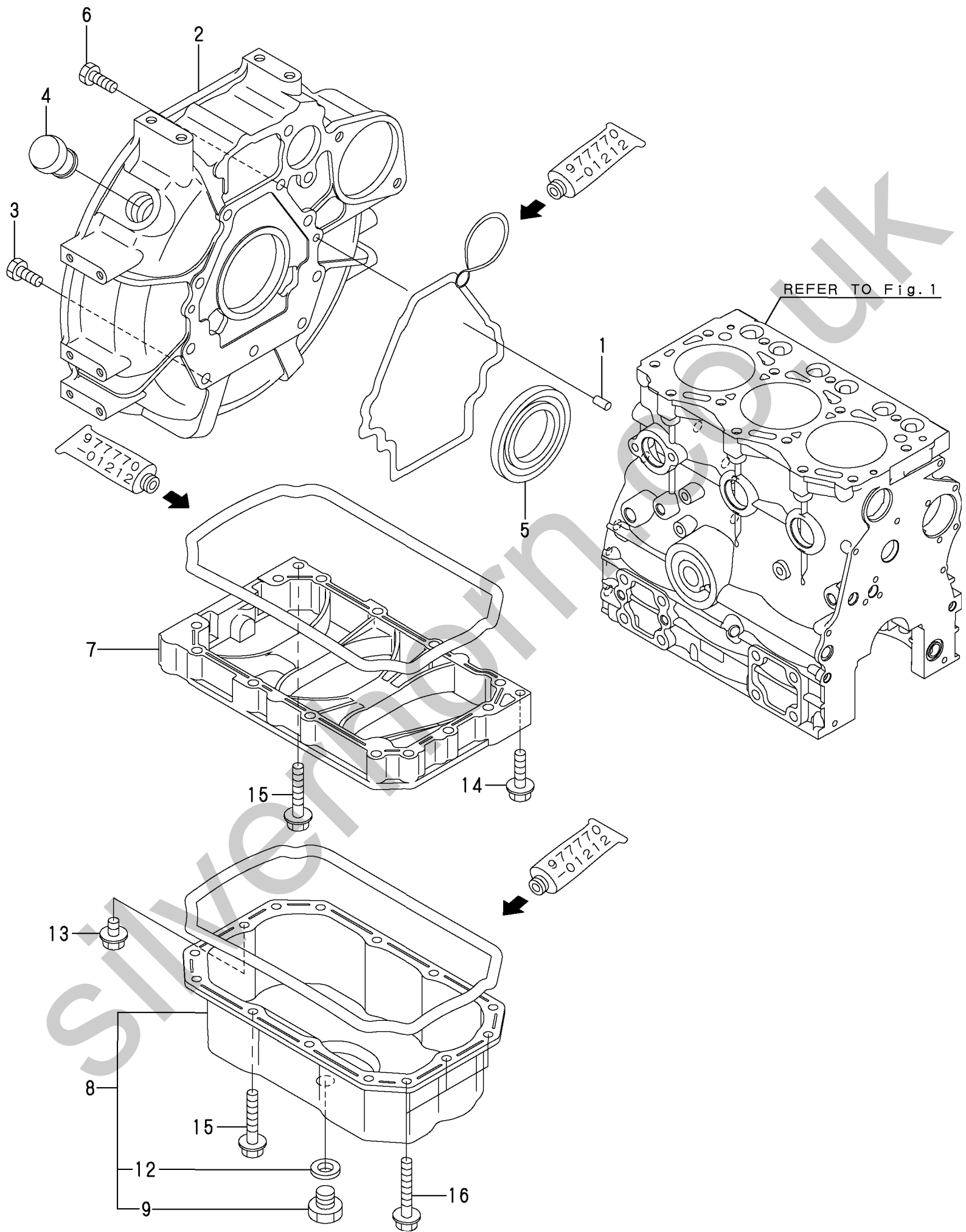




3 inc. (3) ~ 13

1,1,,129100-01580,, "PARALLEL PIN 8X16",2,,,,,,,,,,,,,,,,,,,,,
2,1,,119717-01601,, "HOUSING, FLYWHEEL",1,,,,,,,,,,,,,,,,,,,,,
3,1,,121120-01620,, "BOLT M 10X 28",3,,,,,,,,,,,,,,,,,,,,,
4,1,,119620-01750,, "CAP, FLYWHEEL COVER",1,,,,,,,,,,,,,,,,,,,,,
5,1,,124085-02220,, "SEAL, OIL",1,,,,,,,,,,,,,,,,,,,,,
6,1,,26206-100252,, "BOLT M10X25",8,,,,,,,,,,,,,,,,,,,,,
7,1,,119717-01720,, "SPACER, OIL SUMP",1,,,,,,,,,,,,,,,,,,,,,
8,1,,119740-01770,, "SUMP ASSY, LUB.OIL",1,,,,,,,,,,,,,,,,,,,,,
9,2,,105425-01690,, "PLUG M16",1,,,,,,,,,,,,,,,,,,,,,
12,2,,22190-160002,, "SEAL WASHER 16S",1,,,,,,,,,,,,,,,,,,,,,
13,1,,26106-080122,, "BOLT M 8X 12 PLATED",1,,,,,,,,,,,,,,,,,,,,,
14,1,,26106-080302,, "BOLT M 8X 30 PLATED",1,,,,,,,,,,,,,,,,,,,,,
15,1,,26106-080452,, "BOLT M 8X 45 PLATED",11,,,,,,,,,,,,,,,,,,,,,
16,1,,26106-080502,, "BOLT M 8X 50 PLATED",3,,,,,,,,,,,,,,,,,,,,,

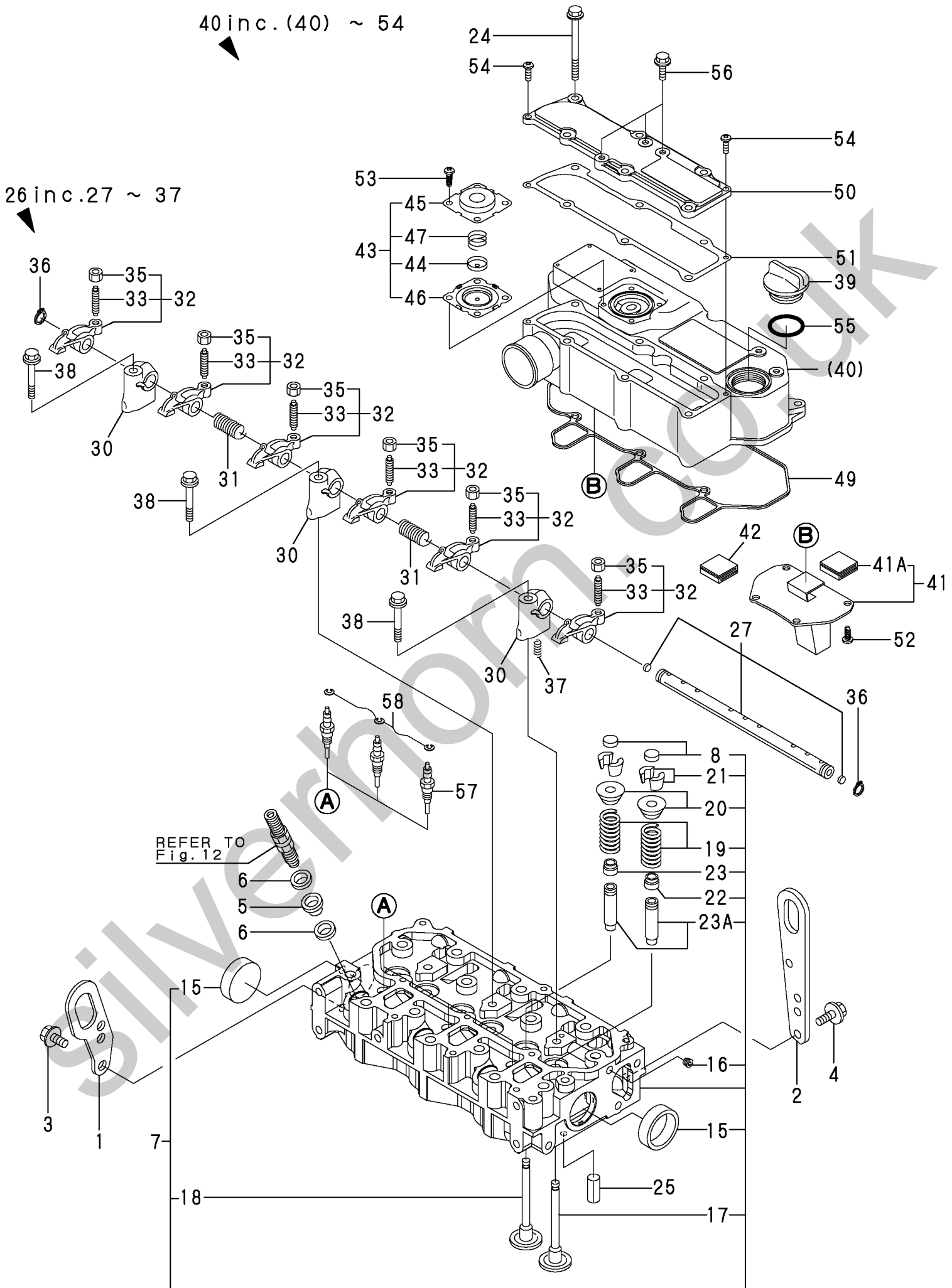
Silverhorn.CO.UK



1,1,,119260-07900,, "LIFTER, ENGINE",1,,,,,,,,,,,,,,,,,,,,,
2,1,,119940-07900,, "LIFTER, ENGINE",1,,,,,,,,,,,,,,,,,,,,,
3,1,,26106-080142,, "BOLT M 8X 14 PLATED",2,,,,,,,,,,,,,,,,,,,,,
4,1,,26106-080162,, "BOLT M 8X 16 PLATED",2,,,,,,,,,,,,,,,,,,,,,
5,1,,129901-11450,, "PROTECTOR, NOZZLE",3,,,,,,,,,,,,,,,,,,,,,
6,1,,119600-11460,, "GASKET, NOZZLE",6,,,,,,,,,,,,,,,,,,,,,
7,1,,119717-11740,, "HEAD ASSY, CYLINDER",1,,,,,,,,,,,,,,,,,,,,,
8,2,,105010-11490,, "CAP, VALVE",6,,,,,,,,,,,,,,,,,,,,,
15,3,,119285-11990,, "PLUG 35",2,,,,,,,,,,,,,,,,,,,,,
16,3,,23876-005000,, "PLUG PT 1/16,SCREW",1,,,,,,,,,,,,,,,,,,,,,
17,2,,119717-11100,, "VALVE, INTAKE",3,,,,,,,,,,,,,,,,,,,,,
18,2,,119717-11110,, "VALVE, EXHAUST",3,,,,,,,,,,,,,,,,,,,,,
19,2,,119717-11131,, "SPRING, VALVE",6,,,,,,,,,,,,,,,,,,,,,
20,2,,129508-11180,, "RETAINER, SPRING",6,,,,,,,,,,,,,,,,,,,,,
21,2,,119717-11190,, "COTTER, VALVE",12,,,,,,,,,,,,,,,,,,,,,
22,2,,119717-11340,, "SEAL, VALVE STEM",3,,,,,,,,,,,,,,,,,,,,,
23,2,,119717-11350,, "SEAL, VALVE STEM",3,,,,,,,,,,,,,,,,,,,,,
23A,2,,119717-11800,, "GUIDE, VALVE",6,,,,,,,,,1,
24,1,,26106-060752,, "BOLT M 6X 75 PLATED",6,,,,,,,,,,,,,,,,,,,,,
25,1,,22351-060012,, "SPRING PIN 6X12",2,,,,,,,,,,,,,,,,,,,,,
26,1,,119717-11200,, "SUPPORT ASSY, ARM",1,,,,,,,,,,,,,,,,,,,,,
27,2,,119717-11240,, "SHAFT ASSY, ROCKER",1,,,,,,,,,,,,,,,,,,,,,
30,2,,119717-11260,, "SUPPORT, ROCKER ARM",3,,,,,,,,,,,,,,,,,,,,,
31,2,,119620-11280,, "SPRING",2,,,,,,,,,,,,,,,,,,,,,
32,2,,119717-11650,, "ARM ASSY, ROCKER",6,,,,,,,,,,,,,,,,,,,,,
33,3,,129150-11230,, "SCREW, VALVE",6,,,,,,,,,,,,,,,,,,,,,
35,3,,129150-11750,, "NUT M8XP1.0",6,,,,,,,,,,,,,,,,,,,,,
36,2,,22242-000120,, "CIRCLIP 12",2,,,,,,,,,,,,,,,,,,,,,
37,2,,26979-050162,, "SCREW M 5X16",1,,,,,,,,,,,,,,,,,,,,,
38,1,,26106-080402,, "BOLT M 8X 40 PLATED",3,,,,,,,,,,,,,,,,,,,,,
39,1,,124160-01751,, "COVER, FILLER",1,,,,,,,,,,,,,,,,,,,,,
40,1,,119717-11381,, "BONNET ASSY, HEAD",1,,,,,,,,,,,,,,,,,,,,,
41,2,,119717-03031,, "PLATE, BAFFLE",1,,,,,,,,,,,,,,,,,,,,,
41A,3,,119717-03070,, "BAFFLE, BREATHER",1,,,,,,,,,,,,,,,,,,,,,
42,2,,119717-03070,, "BAFFLE, BREATHER",2,,,,,,,,,,,,,,,,,,,,,
43,2,,119802-03100,, "DIAPHRAGM ASSY",1,,,,,,,,,,,,,,,,,,,,,
44,3,,119802-03110,, "PLATE, DIAPHRAGM",1,,,,,,,,,,,,,,,,,,,,,
45,3,,119802-03121,, "COVER, DIAPHRAGM",1,,,,,,,,,,,,,,,,,,,,,
46,3,,119802-03131,, "DIAPHRAGM",1,,,,,,,,,,,,,,,,,,,,,
47,3,,119802-03141,, "SPRING, DIAPHRAGM",1,,,,,,,,,,,,,,,,,,,,,
49,2,,119718-11310,, "GASKET, BONNET",1,,,,,,,,,,,,,,,,,,,,,
50,2,,119717-11320,, "COVER, BONNET",1,,,,,,,,,,,,,,,,,,,,,
51,2,,119717-11331,, "GASKET, BONNET COVER",1,,,,,,,,,,,,,,,,,,,,,
52,2,,22857-500100,, "SCREW 5X10, TAPPING",4,,,,,,,,,,,,,,,,,,,,,
53,2,,22857-500100,, "SCREW 5X10, TAPPING",4,,,,,,,,,,,,,,,,,,,,,
54,2,,22857-500160,, "SCREW 5X16",2,,,,,,,,,,,,,,,,,,,,,
55,1,,24311-000320,, "O-RING 1A P-32.0",1,,,,,,,,,,,,,,,,,,,,,
56,1,,26106-060202,, "BOLT M 6X 20 PLATED",3,,,,,,,,,,,,,,,,,,,,,
57,1,,119717-77800,, "PLUG, GLOW",3,,,,,,,,,,,,,,,,,,,,,
58,1,,119717-77820,, "CONNECTOR, GLOW PLUG",1,,,,,,,,,,,,,,,,,,,,,

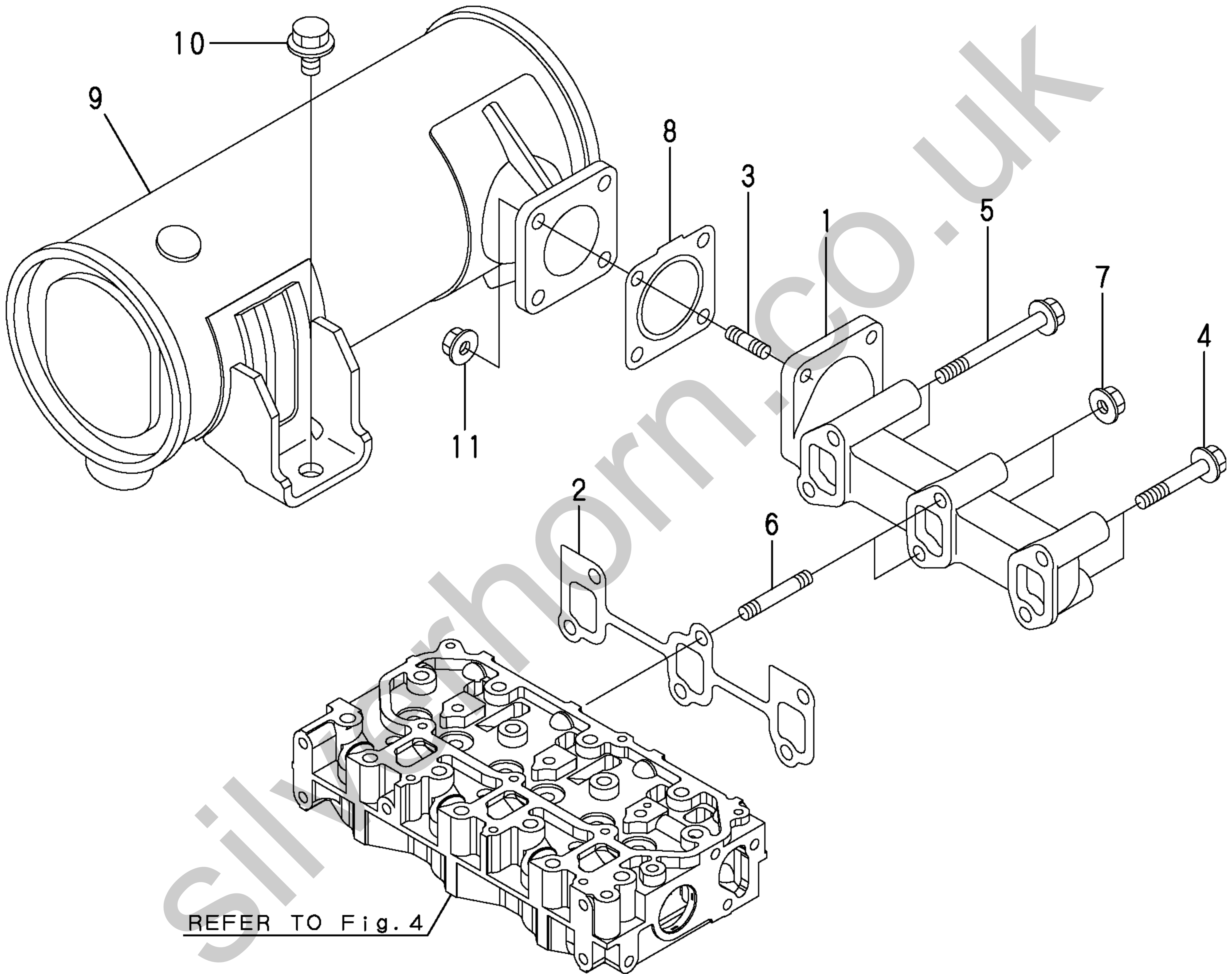
40 inc.(40) ~ 54

26 inc.27 ~ 37



1,1,,119740-13100,, "MANIFOLD, EXHAUST",1,,,,,,,,,,,,,,,,,,,,,
2,1,,119717-13110,, "GASKET, MANIFOLD",1,,,,,,,,,,,,,,,,,,,,,
3,1,,119131-18320,, "BOLT M 8X 22",4,,,,,,,,,,,,,,,,,,,,,
4,1,,119802-13620,, "BOLT M 8X 50 PLATED",2,,,,,,,,,,,,,,,,,,,,,
5,1,,123900-13620,, "BOLT M 8X 70 PLATED",2,,,,,,,,,,,,,,,,,,,,,
6,1,,119717-13600,, "STUD, M8X50",2,,,,,,,,,,,,,,,,,,,,,
7,1,,26306-080002,, NUT,2,,,,,,,,,,,,,,,,,,,,,
8,1,,119515-13200,, "GASKET, SILENCER",1,,,,,,,,,,,,,,,,,,,,,
9,1,,119740-13510,, SILENCER,1,,,,,,,,,,,,,,,,,,,,,
10,1,,26106-100182,, "BOLT M10X 18 PLATED",1,,,,,,,,,,,,,,,,,,,,,
11,1,,26306-080002,, NUT,4,,,,,,,,,,,,,,,,,,,,,

Silverhorn.CO.UK

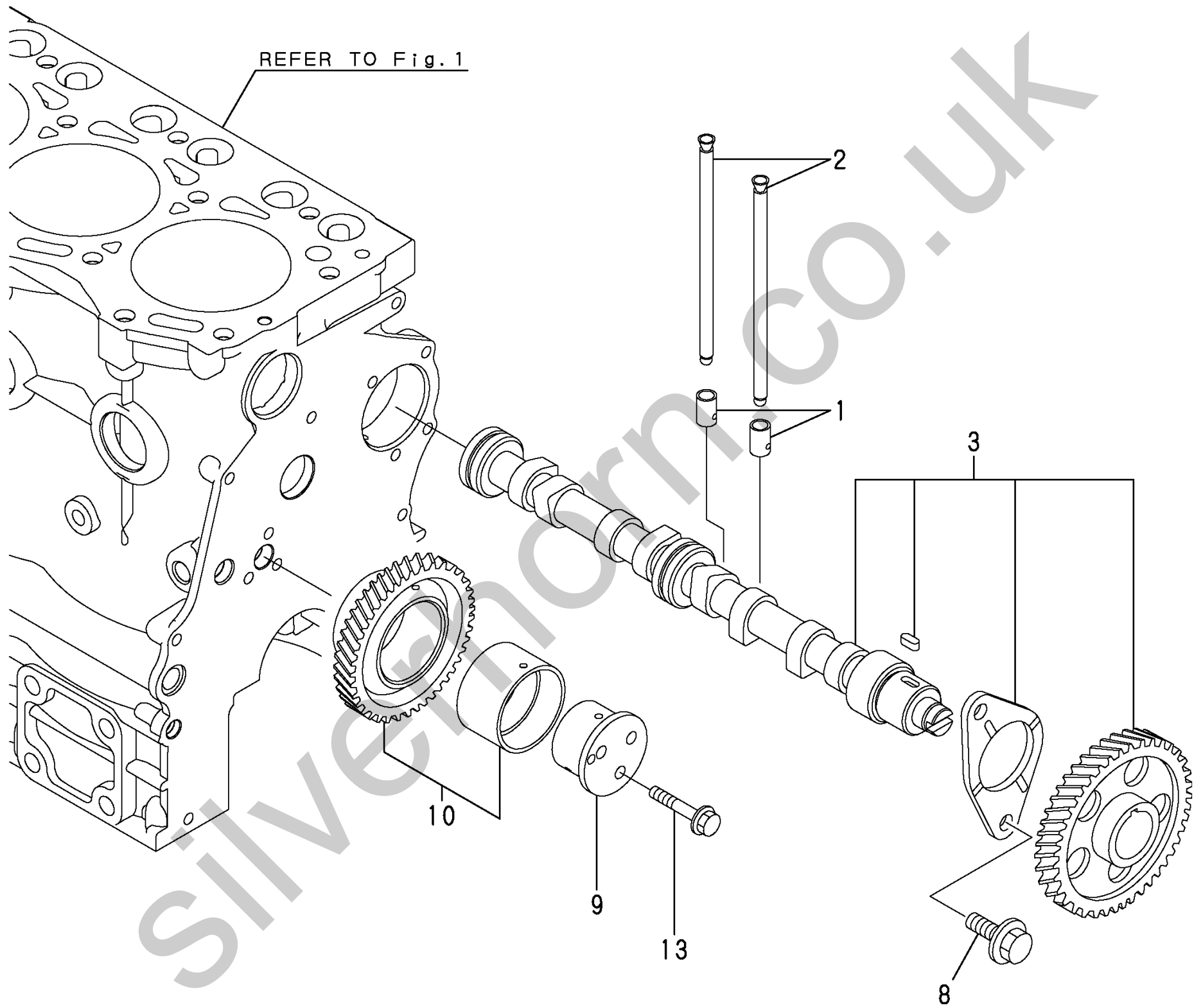


REFER TO Fig. 4

1,1,,119620-14200,,TAPPET,6,,,,,,,,,,,,,,,,,,,,,
2,1,,119717-14400,,,"ROD, PUSH",6,,,,,,,,,,,,,,,,,,,,,
3,1,,119717-14580,,,"CAMSHFT ASSY",1,,,,,,,,,,,,,,,,,,,,,
8,1,,26106-060122,,,"BOLT M 6X 12 PLATED",2,,,,,,,,,,,,,,,,,,,,,
9,1,,119717-25050,,,"SHAFT, IDLE GEAR",1,,,,,,,,,,,,,,,,,,,,,
10,1,,119717-25100,,,"GEAR ASSY, IDLE",1,,,,,,,,,,,,,,,,,,,,,
13,1,,26106-060352,,,"BOLT M 6X 35 PLATED",3,,,,,,,,,,,,,,,,,,,,,

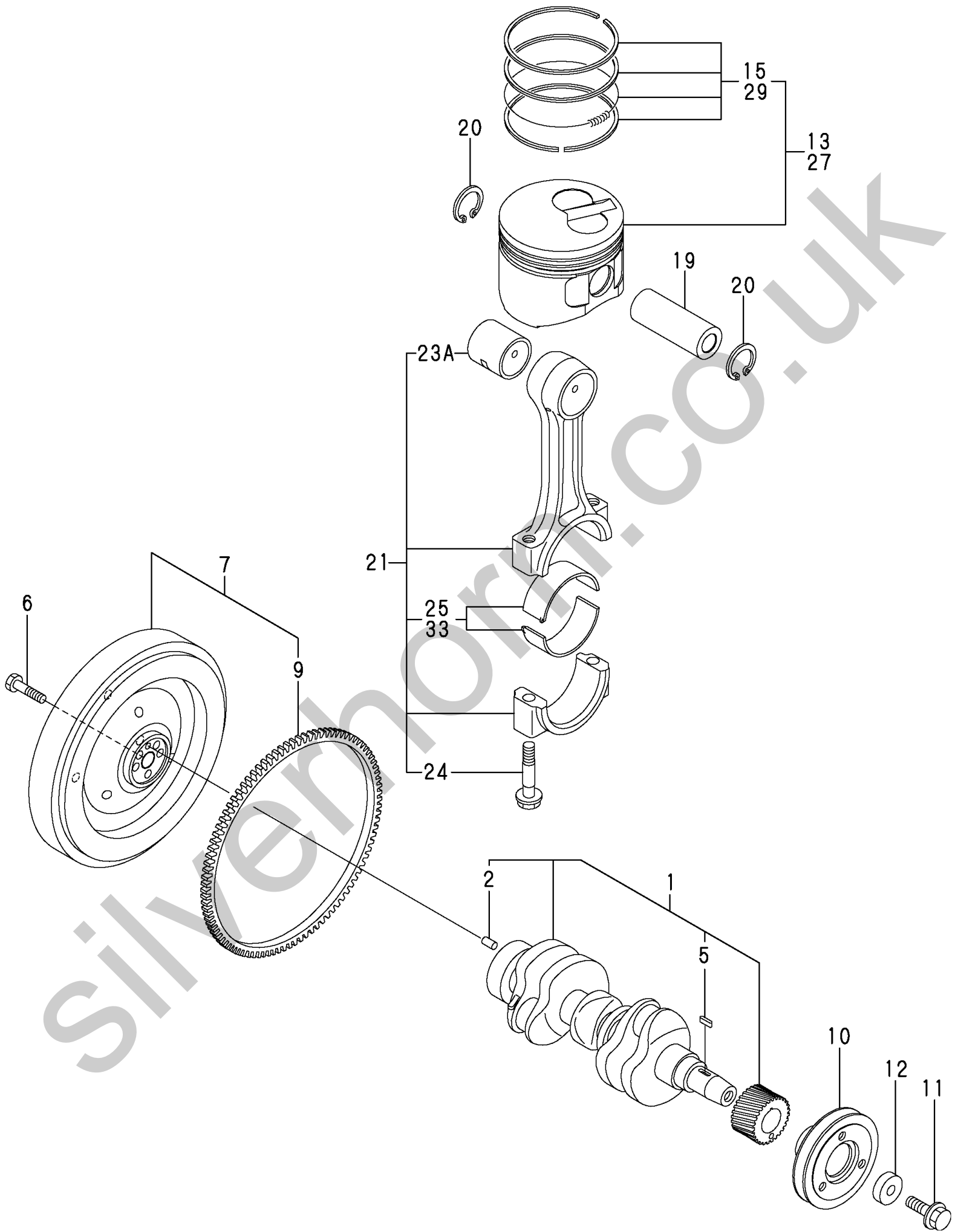
Silverhorn.CO.UK

REFER TO Fig. 1



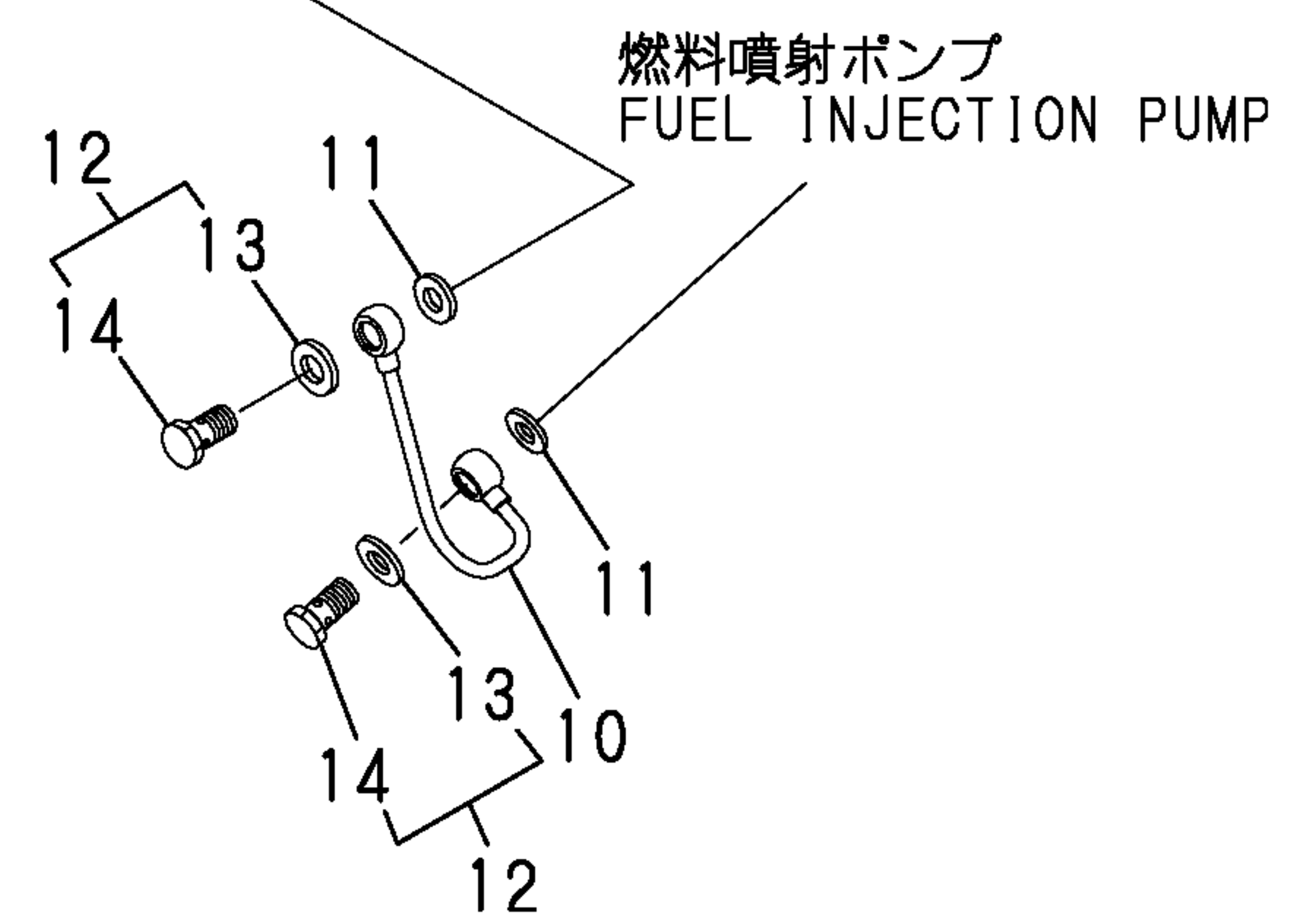
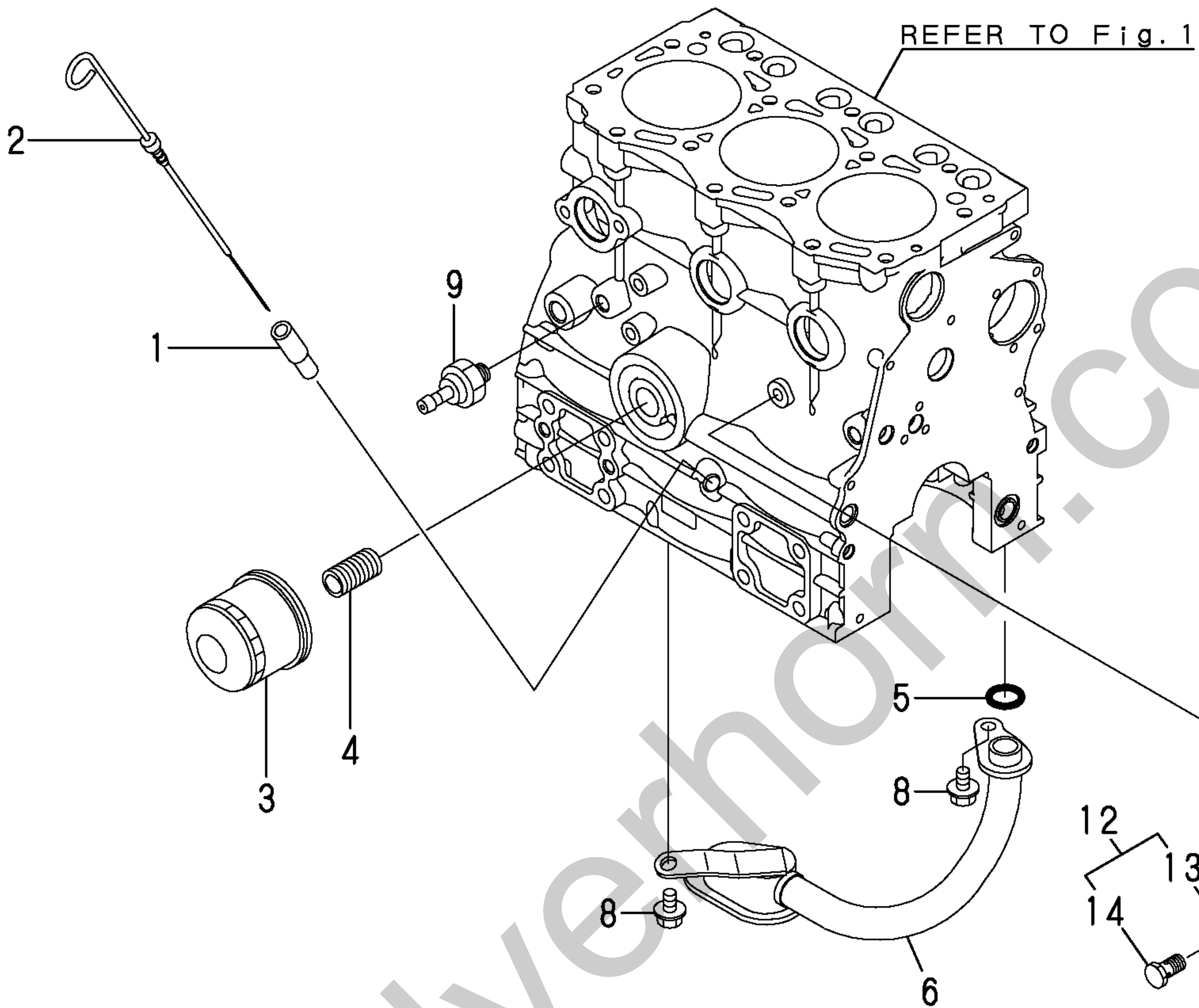
1,1,,119717-21700,, "CRANKSHAFT ASSY",1,,,,,,,,,,,,,,,,,,,,,
 2,2,,129100-01580,, "PARALLEL PIN 8X16",1,,,,,,,,,,,,,,,,,,,,,
 5,2,,22512-040120,, "KEY 4X 12",1,,,,,,,,,,,,,,,,,,,,,
 6,1,,121111-21501,, "BOLT, FLYWHEEL",5,,,,,,,,,,,,,,,,,,,,,
 7,1,,119636-21580,, "FLYWHEEL ASSY",1,,,,,,,,,,,,,,,,,,,,,
 9,2,,119865-21600,, "GEAR, RING",1,,,,,,,,,,,,,,,,,,,,,
 10,1,,119717-21650,, "V-PULLEY, CRANKSHAFT",1,,,,,,,,,,,,,,,,,,,,,
 11,1,,119621-21680,, "BOLT M12X1.25, FLANGE",1,,,,,,,,,,,,,,,,,,,,,
 12,1,,119620-21941,, "WASHER",1,,,,,,,,,,,,,,,,,,,,,
 13,1,,119717-22080,, "PISTON W/RING",3,,,,,,,,,,,,,,,,,,,,,
 15,2,,119717-22500,, "RING SET",3,,,,,,,,,,,,,,,,,,,,,
 19,1,,119717-22300,, "PIN, PISTON",3,,,,,,,,,,,,,,,,,,,,,
 20,1,,22252-000220,, "CIRCLIP 22",6,,,,,,,,,,,,,,,,,,,,,
 21,1,,119717-23000,, "ROD ASSY, CONNECTING",3,,,,,,,,,,,,,,,,,,,,,
 23A,2,,119717-23910,, "BUSH, PISTON PIN",3,,,,,,,,,1,,,,,,,,,,,,,
 24,2,,119717-23200,, "BOLT, CONNECTING ROD",6,,,,,,,,,,,,,,,,,,,,,
 25,2,,119717-23600,, "METAL ASSY, CRANK PIN",3,,,,,,,,,,,,,,,,,,,,,
 27,1,,119717-22090,, "PISTON W/RING",3,,,,,,,,,2,,,,,,,,,,,,,
 29,2,,119717-22550,, "RING SET, 0.25 OS",3,,,,,,,,,2,,,,,,,,,,,,,
 33,1,,119717-23610,, "BEARING, PIN US=0.25",3,,,,,,,,,3,,,,,,,,,,,,,

Silverhorn.CO.UK



1,1,,121520-34810,, "GUIDE, DIPSTICK",1,,,,,,,,,,,,,,,,,,,,,
2,1,,119740-34801,, "DIPSTICK, LUB.OIL",1,,,,,,,,,,,,,,,,,,,,,
3,1,,119305-35151,, "FILTER ASSY, LUB.OIL",1,,,,,,,,,,,,,,,,,,,,,
4,1,,129100-35140,, "STUD",1,,,,,,,,,,,,,,,,,,,,,,,,,,,,,
5,1,,119717-32060,, "O-RING, P15.0",1,,,,,,,,,,,,,,,,,,,,,
6,1,,119717-35080,, "PIPE ASSY, LUB,OIL",1,,,,,,,,,,,,,,,,,,,,,
8,1,,26106-060102,, "BOLT M 6X 10 PLATED",2,,,,,,,,,,,,,,,,,,,,,
9,1,,114250-39450,, "SWITCH, (0.5KG)L.O.",1,,,,,,,,,,,,,,,,,,,,,
10,1,,119717-39210,, "PIPE ASSY, HYDRAULIC",1,,,,,,,,,,,,,,,,,,,,,
11,1,,22190-080002,, "SEAL WASHER 8S",2,,,,,,,,,,,,,,,,,,,,,
12,1,,129005-59830,, "BOLT ASSY, JOINT",2,,,,,,,,,,,,,,,,,,,,,
13,2,,22190-080002,, "SEAL WASHER 8S",2,,,,,,,,,,,,,,,,,,,,,
14,2,,23857-030000,, "JOINT BOLT 3",2,,,,,,,,,,,,,,,,,,,,,

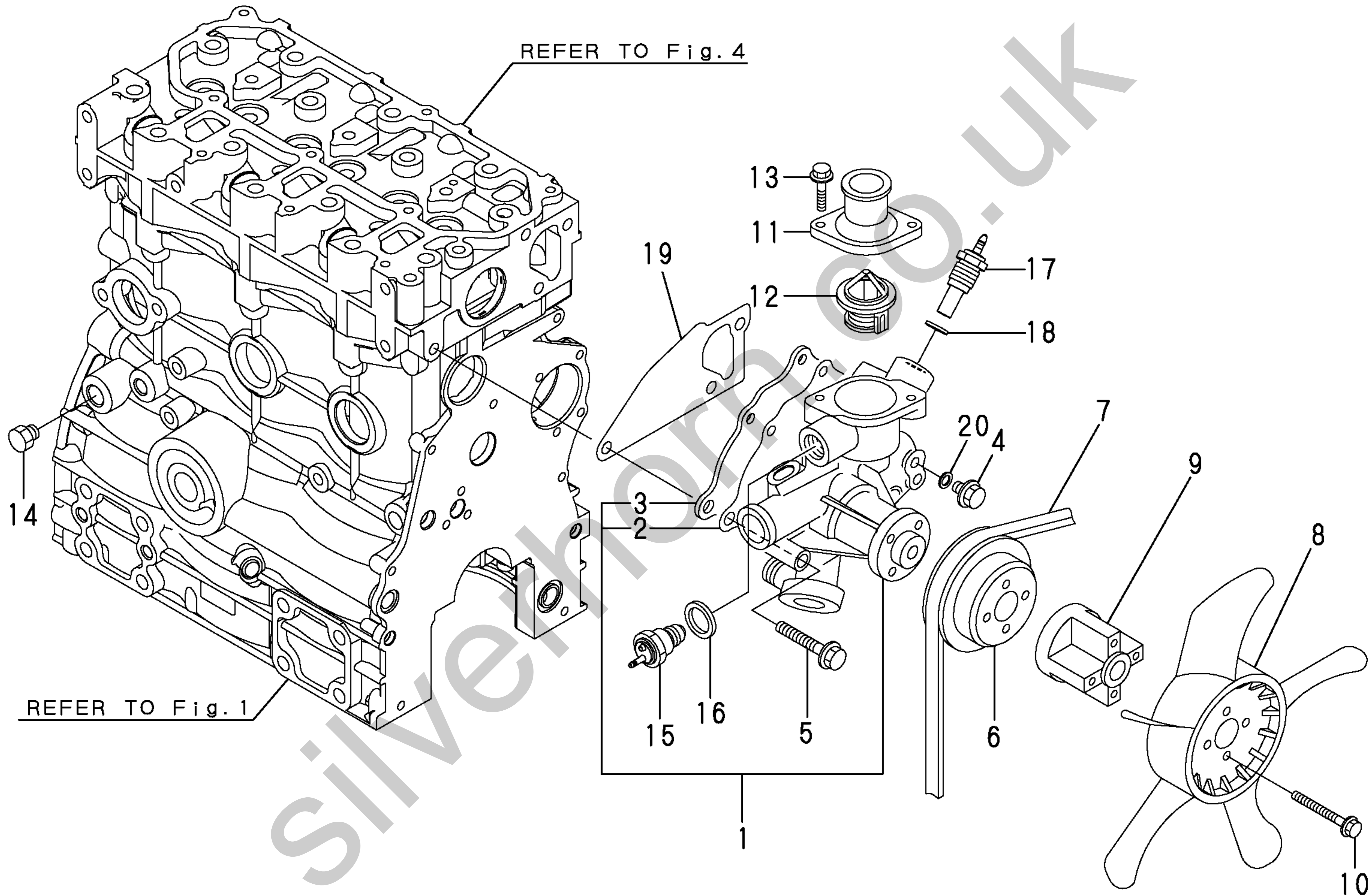
Silverhorn.CO.UK



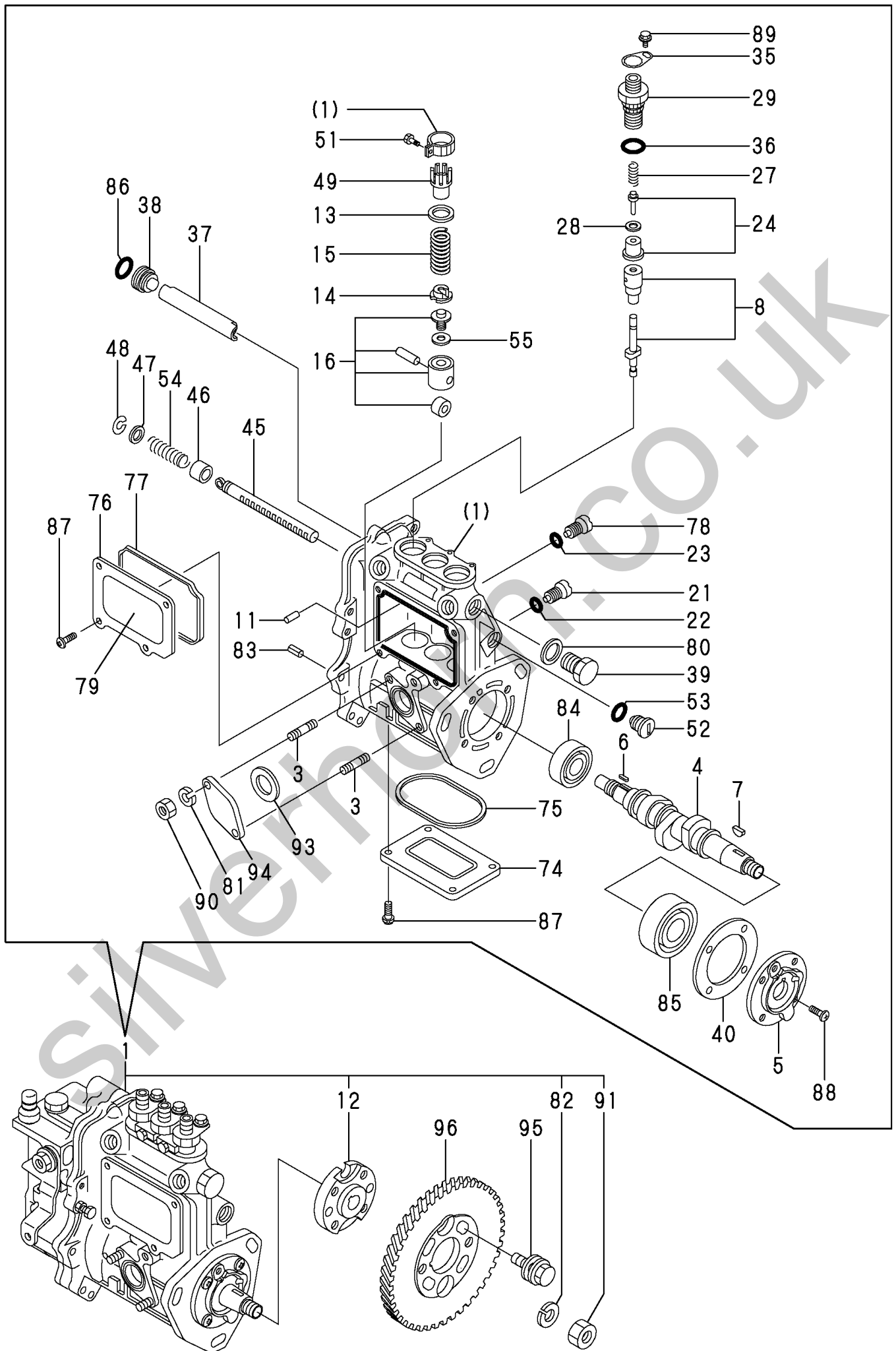
Silverhawk.CO.UK

1,1,,119717-42002,, "PUMP ASSY, C.W.",1,,,,,,,,,,,,,,,,,,,,,
2,2,,119717-42031,, GASKET,1,,,,,,,,,,,,,,,,,,,,,
3,2,,119717-42041,, COVER,1,,,,,,,,,,,,,,,,,,,,,
4,1,,26106-080122,, "BOLT M 8X 12 PLATED",1,,,,,,,,,,,,,,,,,,,,,
5,1,,26106-080502,, "BOLT M 8X 50 PLATED",3,,,,,,,,,,,,,,,,,,,,,
6,1,,119740-42350,, "V-PULLEY, C.W.PUMP",1,,,,,,,,,,,,,,,,,,,,,
7,1,,171001-42290,, "V-BELT (A-35.5)",1,,,,,,,,,,,,,,,,,,,,,
8,1,,119233-44740,, "FAN (D=290)",1,,,,,,,,,,,,,,,,,,,,,
9,1,,171353-44760,, SPACER,1,,,,,,,,,,,,,,,,,,,,,
10,1,,26106-060402,, "BOLT M 6X 40 PLATED",4,,,,,,,,,,,,,,,,,,,,,
11,1,,129350-49530,, "COVER, THERMOSTAT",1,,,,,,,,,,,,,,,,,,,,,
12,1,,119717-49800,, "THERMOSTAT, 71CŞ",1,,,,,,,,,,,,,,,,,,,,,
13,1,,26106-080202,, "BOLT M 8X 20 PLATED",2,,,,,,,,,,,,,,,,,,,,,
14,1,,171056-49120,, "PLUG, DRAIN",1,,,,,,,,,,,,,,,,,,,,,
15,1,,121250-44901,, "SWITCH, THERMO(110ŞC",1,,,,,,,,,,,,,,,,,,,,,
16,1,,124465-44950,, "GASKET 16",1,,,,,,,,,,,,,,,,,,,,,
17,1,,171056-49351,, SENSER,1,,,,,,,,,,,,,,,,,,,,,
18,1,,129150-49360,, "GASKET 10",1,,,,,,,,,,,,,,,,,,,,,
19,1,,119717-42020,, "GASKET, WATER PUMP",1,,,,,,,,,,,,,,,,,,,,,
20,1,,23414-080000,, "GASKET 8, ROUND",1,,,,,,,,,,,,,,,,,,,,,

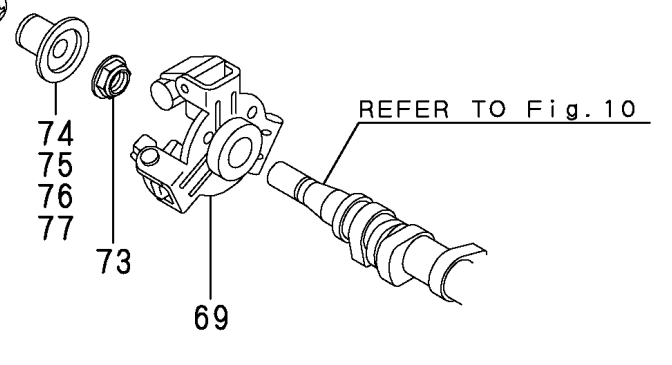
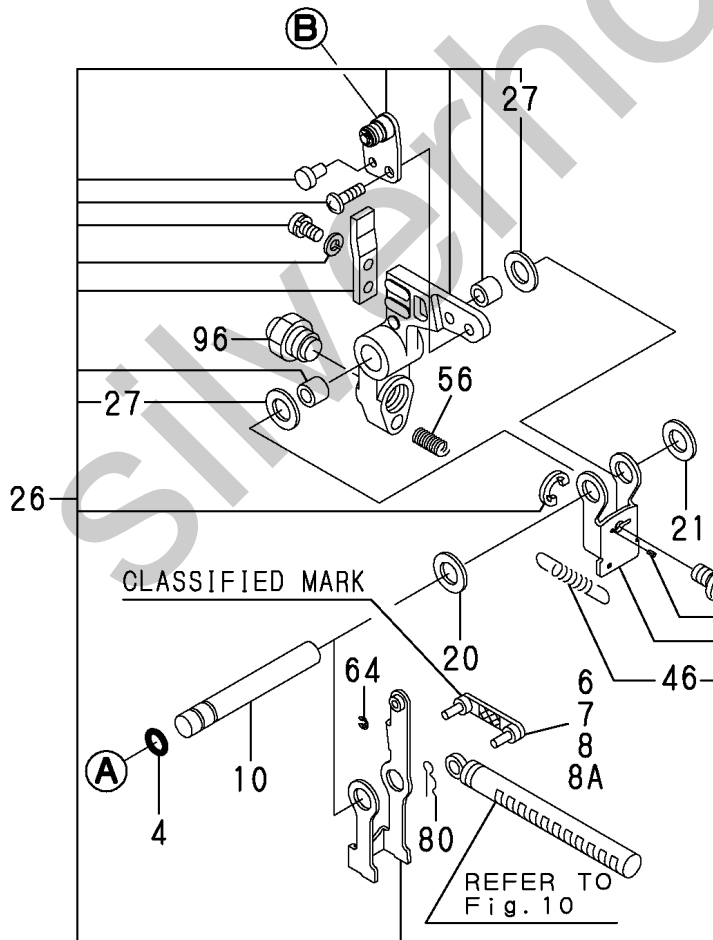
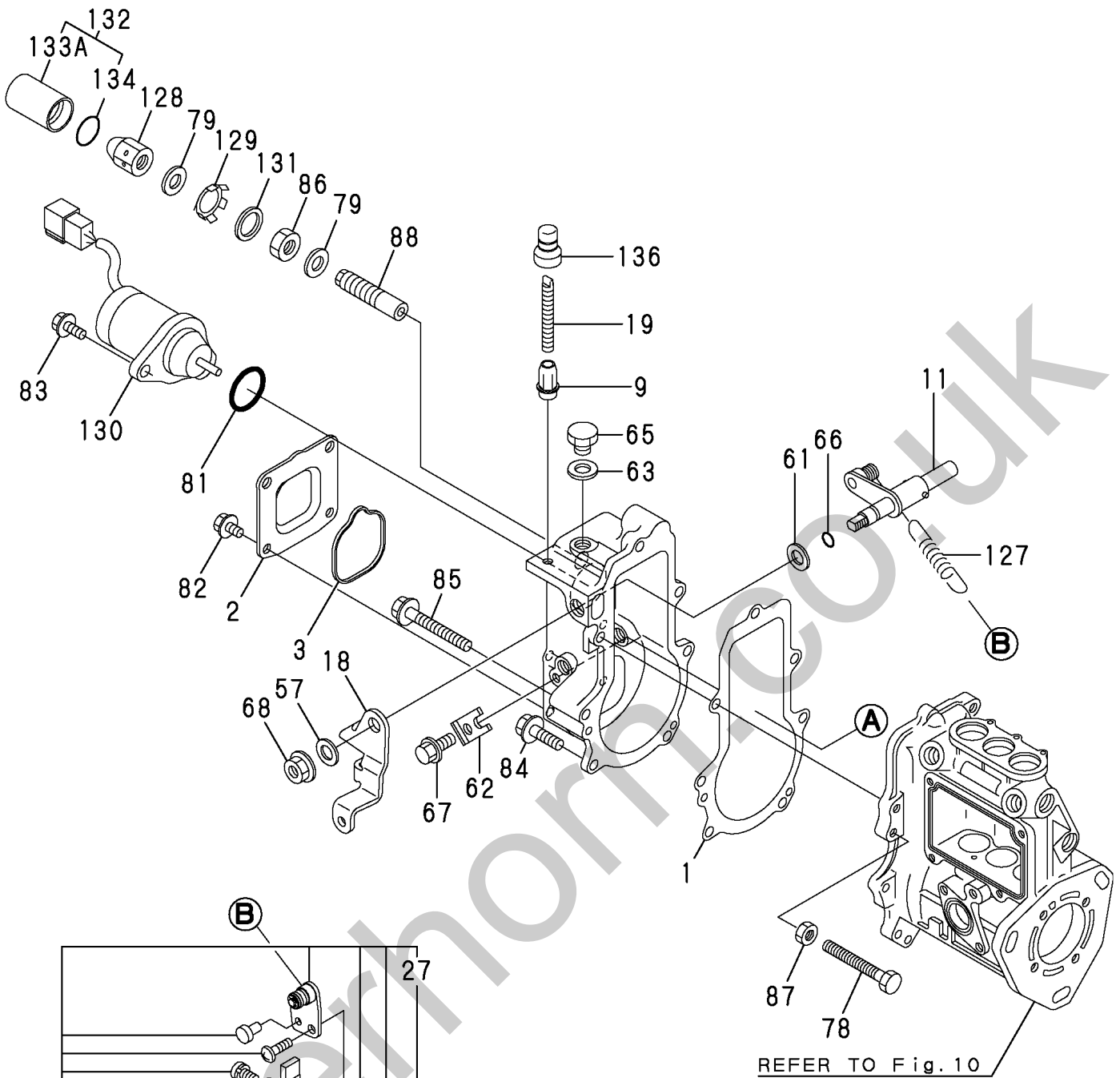
Silverhorn.CO.UK

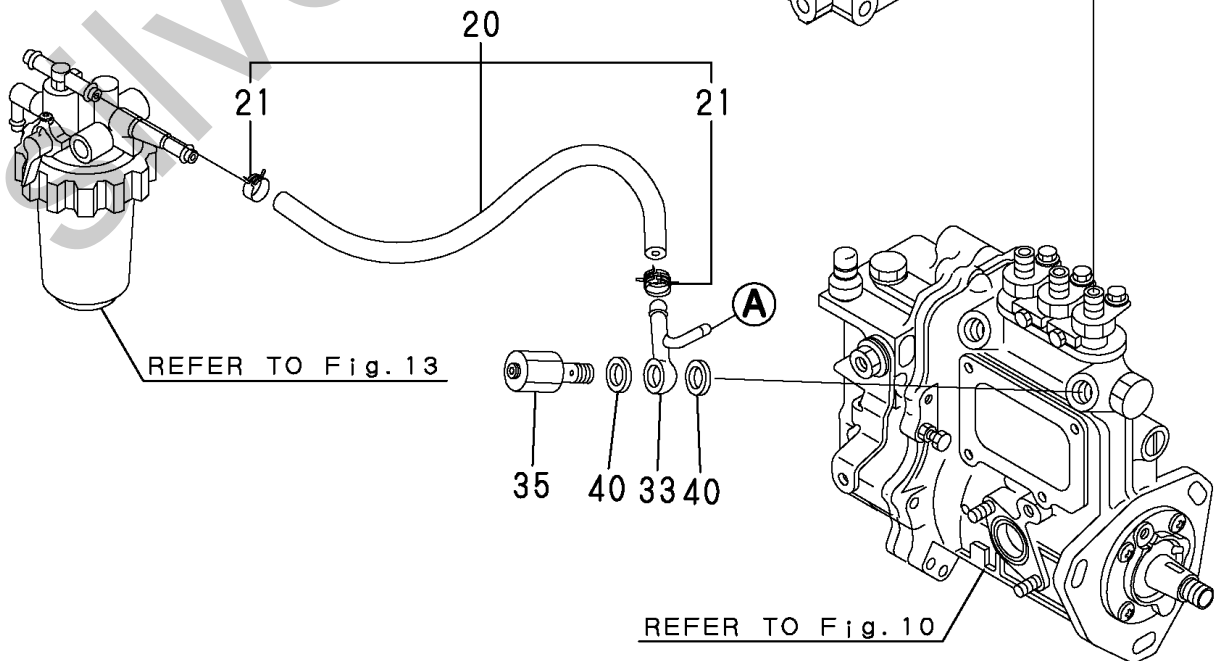
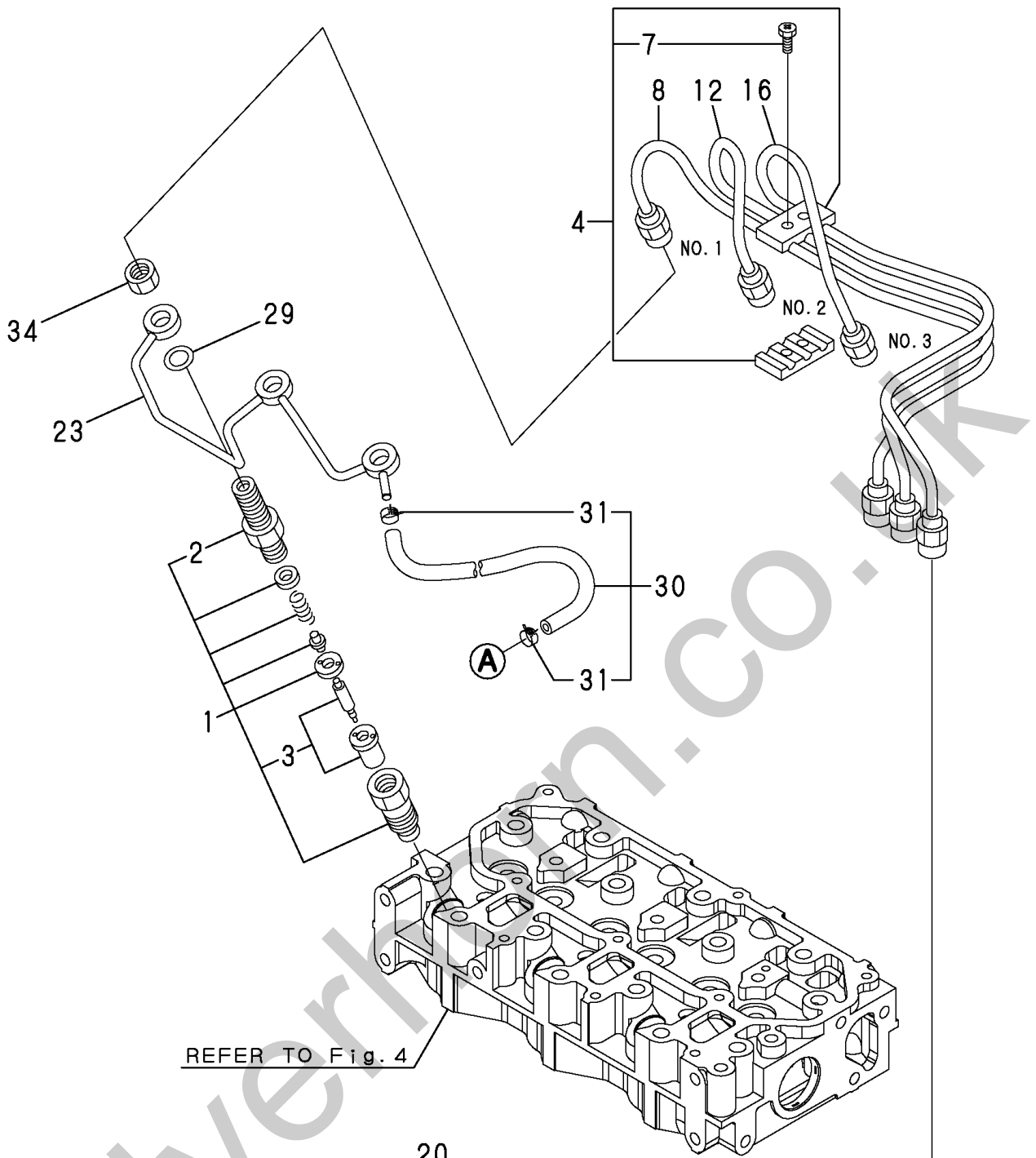


1,1,,719740-51360,, "PUMP ASSY, INJECTION",1,,,,,,,,,1,,,,,,,,,
3,2,,129155-51020,, "STUD, FEED PUMP",2,,,,,,,,,2,,,,,,,,,
4,2,,119717-51030,, CAMSHAFT,1,,,,,,,,,1,,,,,,,,,
5,2,,119717-51060,, "SUPPORT, BEARING",1,,,,,,,,,1,,,,,,,,,
6,2,,119717-51070,, "PARALLEL PIN",1,,,,,,,,,1,,,,,,,,,
7,2,,122710-51090,, KEY,1,,,,,,,,,1,,,,,,,,,
8,2,,119740-51100,, "PLUNGER ASSY",3,,,,,,,,,3,,,,,,,,,
11,2,,129155-51140,, "PIN, BARREL LOCKING",3,,,,,,,,,3,,,,,,,,,
12,2,,119717-51150,, FLANGE,1,,,,,,,,,1,,,,,,,,,
13,2,,158600-51170,, "SEAT SPRING",3,,,,,,,,,3,,,,,,,,,
14,2,,119717-51180,, "RETAINER, SPRING",3,,,,,,,,,3,,,,,,,,,
15,2,,119717-51190,, "SPRING, PLUNGER",3,,,,,,,,,3,,,,,,,,,
16,2,,119717-51200,, "TAPPET ASSY",3,,,,,,,,,3,,,,,,,,,
21,2,,158600-51270,, STOPPER,3,,,,,,,,,3,,,,,,,,,
22,2,,129155-51280,, "O-RING S6",3,,,,,,,,,3,,,,,,,,,
23,2,,129155-51280,, "O-RING S6",1,,,,,,,,,1,,,,,,,,,
24,2,,119717-51300,, "VALVE ASSY, DELIVERY",3,,,,,,,,,3,,,,,,,,,
27,2,,119717-51330,, "SPRING, DELIVERY",3,,,,,,,,,3,,,,,,,,,
28,2,,124550-51350,, "GASKET, DELIVERY",3,,,,,,,,,3,,,,,,,,,
29,2,,158600-51440,, "VALVE ASSY, DELIVERY",3,,,,,,,,,3,,,,,,,,,
35,2,,118400-51370,, LOCKING,3,,,,,,,,,3,,,,,,,,,
36,2,,24316-000150,, "O-RING 4D P15",3,,,,,,,,,3,,,,,,,,,
37,2,,129155-51400,, DEFLECTOR,1,,,,,,,,,1,,,,,,,,,
38,2,,158600-51410,, PLUG,1,,,,,,,,,1,,,,,,,,,
39,2,,158600-51420,, PLUG,1,,,,,,,,,1,,,,,,,,,
40,2,,129155-51450,, "SHIM SET, ADJUSTING",1,,,,,,,,,1,,,,,,,,,
45,2,,119717-51500,, "RACK, CONTROL",1,,,,,,,,,1,,,,,,,,,
46,2,,129155-51521,, "BUSH, RACK",1,,,,,,,,,1,,,,,,,,,
47,2,,129155-51530,, "SPACER, AUX. SPRING",1,,,,,,,,,1,,,,,,,,,
48,2,,129155-51540,, CIRCLIP,1,,,,,,,,,1,,,,,,,,,
49,2,,129155-51550,, "PINION, CONTROL",3,,,,,,,,,3,,,,,,,,,
51,2,,129100-51570,, SCREW,3,,,,,,,,,3,,,,,,,,,
52,2,,158600-51570,, PLUG,1,,,,,,,,,1,,,,,,,,,
53,2,,129155-51580,, O-RING,1,,,,,,,,,1,,,,,,,,,
54,2,,129155-51591,, "SPRING, RACK",1,,,,,,,,,1,,,,,,,,,
55,2,,129155-51600,, "SHIM PACK",3,,,,,,,,,3,,,,,,,,,
74,2,,129155-51701,, COVER,1,,,,,,,,,1,,,,,,,,,
75,2,,119717-51710,, PACKING,1,,,,,,,,,1,,,,,,,,,
76,2,,119717-51750,, "COVER, BODY SIDE",1,,,,,,,,,1,,,,,,,,,
77,2,,119717-51760,, GASKET,1,,,,,,,,,1,,,,,,,,,
78,2,,158600-51790,, "GUIDE, RACK",1,,,,,,,,,1,,,,,,,,,
79,2,,129156-51910,, "LABEL, CAUTION",1,,,,,,,,,1,,,,,,,,,
80,2,,22190-160002,, "SEAL WASHER 16S",1,,,,,,,,,1,,,,,,,,,
81,2,,22217-060000,, "SPRING WASHER 6",2,,,,,,,,,2,,,,,,,,,
82,2,,22217-120000,, "SPRING WASHER",1,,,,,,,,,1,,,,,,,,,
83,2,,22351-050010,, "SPRING PIN 5X10",2,,,,,,,,,2,,,,,,,,,
84,2,,24101-060034,, "BALL BEARING",1,,,,,,,,,1,,,,,,,,,
85,2,,24101-063034,, "BALL BEARING",1,,,,,,,,,1,,,,,,,,,
86,2,,119717-51420,, O-RING,1,,,,,,,,,1,,,,,,,,,
87,2,,26022-050122,, "SCREW M 5X 12",8,,,,,,,,,8,,,,,,,,,
88,2,,26022-060162,, "SCREW M 6X 16",4,,,,,,,,,4,,,,,,,,,
89,2,,26106-050102,, "BOLT M 5X 10 PLATED",3,,,,,,,,,3,,,,,,,,,
90,2,,26716-060002,, "NUT 6",2,,,,,,,,,2,,,,,,,,,
91,2,,26716-120002,, "NUT 12",1,,,,,,,,,1,,,,,,,,,
93,2,,129155-52051,, GASKET,1,,,,,,,,,1,,,,,,,,,
94,2,,129100-52200,, COVER,1,,,,,,,,,1,,,,,,,,,
95,1,,129150-25301,, "BOLT,FI-P",4,,,,,,,,,4,,,,,,,,,
96,1,,119717-25930,, "GEAR, PUMP",1,,,,,,,,,1,,,,,,,,,



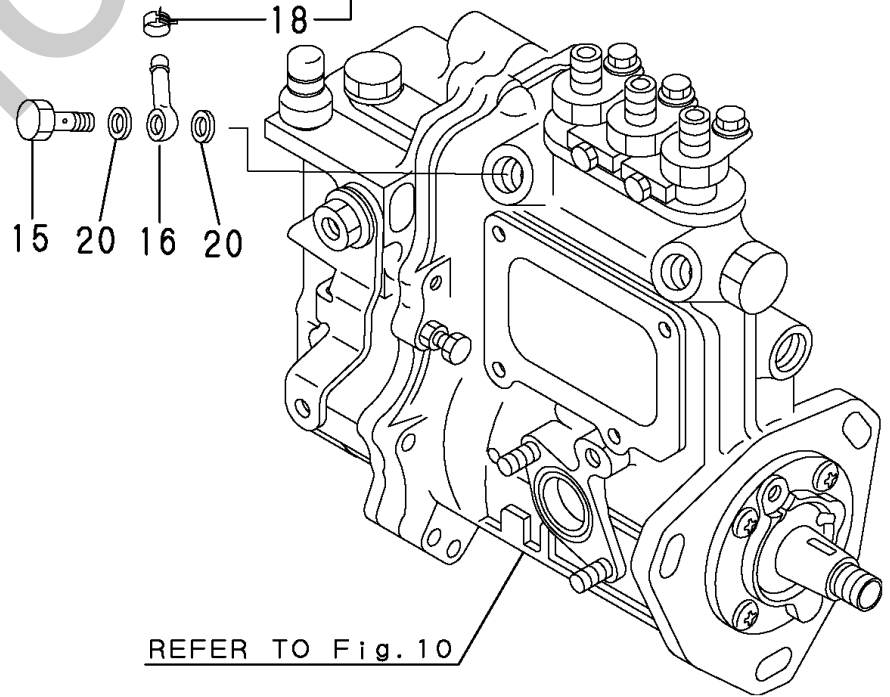
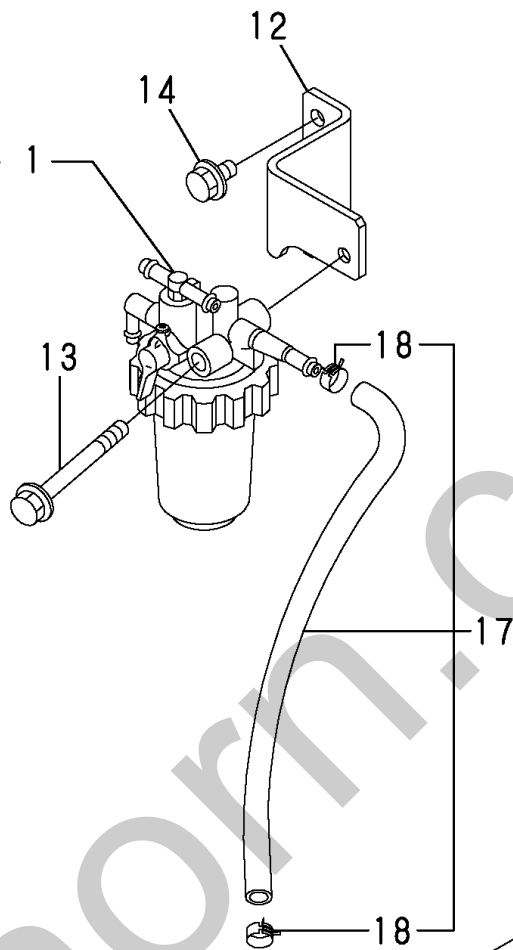
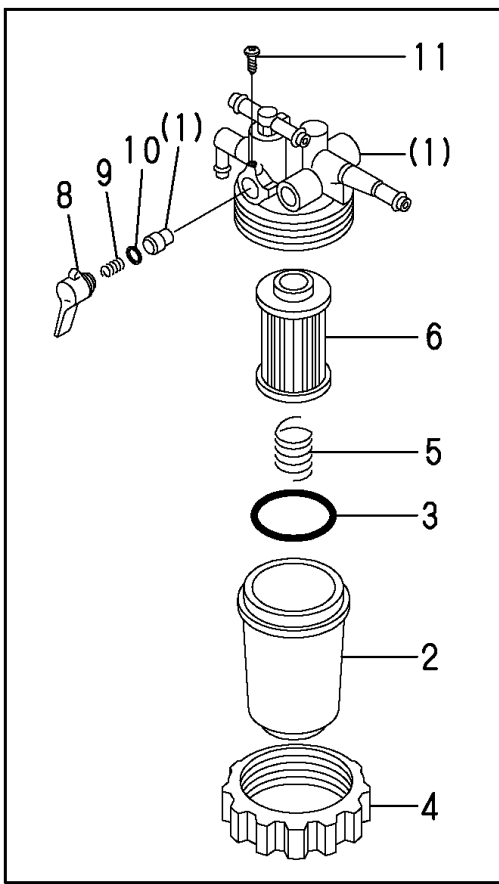
1,2,,119717-61050,, "GASKET, CASE",1,,,,,,,,,,,,,,,,,,,,,
2,2,,119717-61060,, "CASE, GOVERNOR",1,,,,,,,,,,,,,,,,,,,,,
3,2,,119717-61070,, "GASKET, COVER",1,,,,,,,,,,,,,,,,,,,,,
4,2,,129155-51280,, "O-RING S6",1,,,,,,,,,,,,,,,,,,,,,
6,2,,119717-61120,, "LINK, L=29.3",1,,,,,,,,,1,,,,,,,,,,,,,
7,2,,119717-61130,, "LINK, L=29.8",1,,,,,,,,,1,,,,,,,,,,,,,
8,2,,119717-61140,, "LINK, L=28.8",1,,,,,,,,,1,,,,,,,,,,,,,
8A,2,,119717-61150,, "LINK, L=303",1,,,,,,,,,1,,,,,,,,,,,,,
9,2,,129209-61370,, "NUT M6",1,,,,,,,,,,,,,,,,,,,,,
10,2,,129052-61390,, "SHAFT, GOV. LEVER",1,,,,,,,,,,,,,,,,,,,,,
11,2,,119717-61400,, "SHAFT ASSY, CONTROL",1,,,,,,,,,,,,,,,,,,,,,
18,2,,119740-61440,, "LEVER, CONTROL",1,,,,,,,,,,,,,,,,,,,,,
19,2,,129155-61450,, "BOLT, REVOL. LIMIT",1,,,,,,,,,,,,,,,,,,,,,
20,2,,129156-61460,, "SHIM T=0.6",1,,,,,,,,,,,,,,,,,,,,,
21,2,,129155-61480,, "SPACER ASSY",1,,,,,,,,,,,,,,,,,,,,,
26,2,,119717-61500,, "LEVER ASSY, GOVERNOR",1,,,,,,,,,,,,,,,,,,,,,
27,3,,174307-51700,, "SHIM SET",2,,,,,,,,,,,,,,,,,,,,,
46,3,,129486-61540,, "SPRING, SET",1,,,,,,,,,,,,,,,,,,,,,
56,2,,129100-61650,, "SPRING, FUEL CONTROL",1,,,,,,,,,,,,,,,,,,,,,
57,2,,158552-61700,, "SHIM ASSY",1,,,,,,,,,,,,,,,,,,,,,
61,2,,158552-61710,, "SHIM T=1.0",1,,,,,,,,,,,,,,,,,,,,,
62,2,,119660-61901,, "RETAINER, SHAFT",1,,,,,,,,,,,,,,,,,,,,,
63,2,,22190-100002,, "SEAL WASHER 10S",1,,,,,,,,,,,,,,,,,,,,,
64,2,,22272-000030,, "CIRCLIP E- 3",1,,,,,,,,,,,,,,,,,,,,,
65,2,,23887-100002,, "PLUG 10",1,,,,,,,,,,,,,,,,,,,,,
66,2,,24341-000070,, "O-RING 1A S-7.0",1,,,,,,,,,,,,,,,,,,,,,
67,2,,26106-060102,, "BOLT M 6X 10 PLATED",1,,,,,,,,,,,,,,,,,,,,,
68,2,,26366-080002,, "NUT M 8",1,,,,,,,,,,,,,,,,,,,,,
69,2,,119717-61200,, "WEIGHT ASSY",1,,,,,,,,,,,,,,,,,,,,,
73,2,,119660-61300,, "NUT, GOVERNOR WEIGHT",1,,,,,,,,,,,,,,,,,,,,,
74,2,,129155-61341,, "SLEEVE",1,,,,,,,,,2,,,,,,,,,,,,,
75,2,,129155-61350,, "SLEEVE",1,,,,,,,,,2,,,,,,,,,,,,,
76,2,,129155-61360,, "SLEEVE",1,,,,,,,,,2,,,,,,,,,,,,,
77,2,,129155-61370,, "SLEEVE",1,,,,,,,,,2,,,,,,,,,,,,,
78,2,,129155-61460,, "BOLT, IDLE LIMIT",1,,,,,,,,,,,,,,,,,,,,,
79,2,,22190-120002,, "SEAL WASHER 12",2,,,,,,,,,,,,,,,,,,,,,
80,2,,22372-040000,, "SNAP PIN 4",1,,,,,,,,,,,,,,,,,,,,,
81,2,,24341-000280,, "O-RING 1A S-28.0",1,,,,,,,,,,,,,,,,,,,,,
82,2,,26106-060102,, "BOLT M 6X 10 PLATED",4,,,,,,,,,,,,,,,,,,,,,
83,2,,26106-060142,, "BOLT M 6X 14 PLATED",2,,,,,,,,,,,,,,,,,,,,,
84,2,,26106-060202,, "BOLT M 6X 20 PLATED",4,,,,,,,,,,,,,,,,,,,,,
85,2,,26106-060452,, "BOLT M 6X 45 PLATED",3,,,,,,,,,,,,,,,,,,,,,
86,2,,26736-120002,, "NUT M12",1,,,,,,,,,,,,,,,,,,,,,
87,2,,26756-060002,, "LOCK NUT 6",1,,,,,,,,,,,,,,,,,,,,,
88,2,,158601-61700,, "LIMITER ASSY, FUEL",1,,,,,,,,,,,,,,,,,,,,,
96,2,,119718-61560,, "ANGLEICH ASSY",1,,,,,,,,,,,,,,,,,,,,,
127,2,,171353-61700,, "SPRING, GOVERNOR",1,,,,,,,,,,,,,,,,,,,,,
128,2,,129209-61930,, "CAP NUT",1,,,,,,,,,,,,,,,,,,,,,
129,2,,129209-61970,, "PLATE",1,,,,,,,,,,,,,,,,,,,,,
130,2,,119233-77932,, "SOLENOID, STOP",1,,,,,,,,,,,,,,,,,,,,,
131,2,,23414-120016,, "GASKET 12",1,,,,,,,,,,,,,,,,,,,,,
132,1,,129209-61940,, "CASE ASSY",1,,,,,,,,,,,,,,,,,,,,,
133A,2,,129209-61960,, "CASE",1,,,,,,,,,3,,,,,,,,,,,,,
134,2,,24311-000150,, "O-RING 1A P-15.0",1,,,,,,,,,,,,,,,,,,,,,
136,1,,119285-66650,, "CAP, HIGH-IDLE",1,,,,,,,,,3,,,,,,,,,,,,





1,1,,119740-55600,, "STRAINER ASSY",1,,,,,,,,,,,,,,,,,,,,,
2,2,,121254-55510,, "CUP, STRAINER",1,,,,,,,,,,,,,,,,,,,,,
3,2,,102103-55520,, O-RING,1,,,,,,,,,,,,,,,,,,,,,,,,,,,,,
4,2,,110250-55610,, "RING, RETAINING",1,,,,,,,,,,,,,,,,,,,,,
5,2,,121250-55620,, SPRING,1,,,,,,,,,,,,,,,,,,,,,,,,,,,,,
6,2,,119810-55650,, ELEMENT,1,,,,,,,,,,,,,,,,,,,,,,,,,,,,,
8,2,,119810-55340,, LEVER,1,,,,,,,,,,,,,,,,,,,,,,,,,,,,,
9,2,,104200-55330,, "SPRING, TAPER VALVE",1,,,,,,,,,,,,,,,,,,,,,
10,2,,24311-240100,, "O-RING 1A P-10A",1,,,,,,,,,,,,,,,,,,,,,
11,2,,104200-55750,, "SCREW M 4",1,,,,,,,,,,,,,,,,,,,,,,,,,,,,,
12,1,,119740-55650,, "BRACKET, FILTER",1,,,,,,,,,,,,,,,,,,,,,
13,1,,26014-080702,, "BOLT W/WASHER M8X 70",1,,,,,,,,,,,,,,,,,,,,,
14,1,,26106-080142,, "BOLT M 8X 14 PLATED",2,,,,,,,,,,,,,,,,,,,,,
15,1,,103854-39140,, "BOLT, PIPE JOINT",1,,,,,,,,,,,,,,,,,,,,,,,,,,,,,
16,1,,101304-59020,, "JOINT 12, PIPE",1,,,,,,,,,,,,,,,,,,,,,,,,,,,,,
17,1,,129210-59020,, "PIPE ASSY, FUEL OIL",1,,,,,,,,,,,,,,,,,,,,,
18,2,,124766-59050,, "CLAMP 12",2,,,,,,,,,,,,,,,,,,,,,,,,,,,,,
20,1,,22190-120002,, "SEAL WASHER 12",2,,,,,,,,,,,,,,,,,,,,,

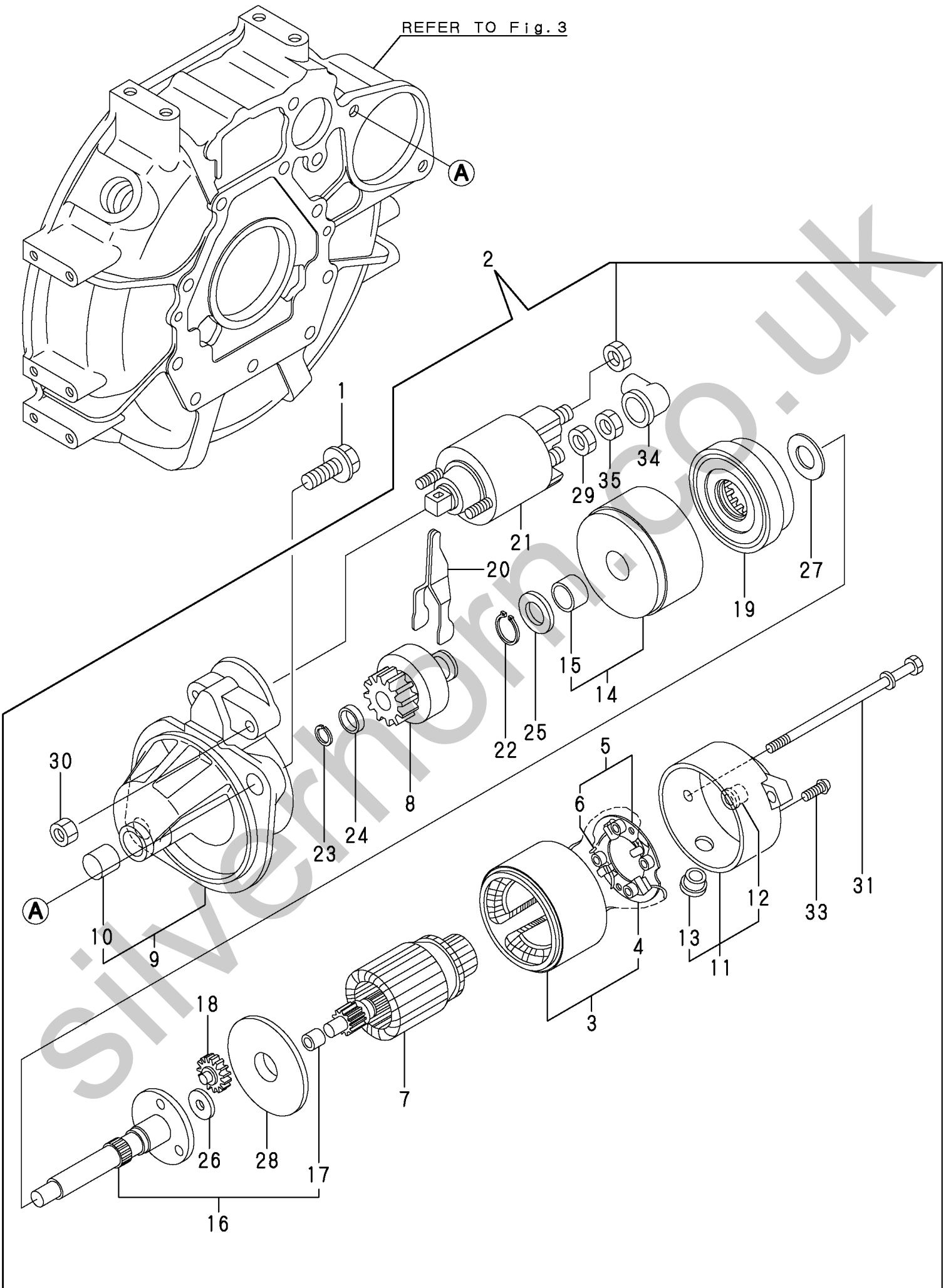
Silverhorn.CO.UK



1,1,,26106-100252,, "BOLT M10X 25 PLATED",2,,,,,,,,,,,,,,,,,,,,,
2,1,,119717-77010,, "STARTER, P1.1",1,,,,,,,,,,,,,,,,,,,,,
3,2,,X0281007750,, "COIL ASSY, FIELD",1,,,,,,,,,,,,,,,,,,,,,
4,3,,X0280996180,, "STARTER KIT",2,,,,,,,,,,,,,,,,,,,,,
5,2,,X0285105190,, "HOLDER ASSY.",1,,,,,,,,,,,,,,,,,,,,,
6,3,,X0285205030,, SPRING,4,,,,,,,,,,,,,,,,,,,,,
7,2,,X0282005991,, "ARMATURE ASSY",1,,,,,,,,,,,,,,,,,,,,,
8,2,,X0283006960,, "CLUTCH SUB-ASSY.",1,,,,,,,,,,,,,,,,,,,,,
9,2,,X5128400414,, "HOUSING ASSY",1,,,,,,,,,,,,,,,,,,,,,
10,3,,X9491050100,, "NEEDLE BEARING",1,,,,,,,,,,,,,,,,,,,,,
11,2,,X0285007030,, "FRAME ASSY.",1,,,,,,,,,,,,,,,,,,,,,
12,3,,X9491040990,, BEARING,1,,,,,,,,,,,,,,,,,,,,,
13,3,,X0280626010,, COVER,1,,,,,,,,,,,,,,,,,,,,,
14,2,,X0284105040,, "BEARING SUB-ASSY.",1,,,,,,,,,,,,,,,,,,,,,
15,3,,X9491034330,, BEARING,1,,,,,,,,,,,,,,,,,,,,,
16,2,,X0286105010,, "SHAFT SUB-ASSY.",1,,,,,,,,,,,,,,,,,,,,,
17,3,,X9491034320,, BEARING,1,,,,,,,,,,,,,,,,,,,,,
18,2,,X0286305010,, GEAR,3,,,,,,,,,,,,,,,,,,,,,
19,2,,X0286355010,, GEAR,1,,,,,,,,,,,,,,,,,,,,,
20,2,,X0287405140,, LEVER,1,,,,,,,,,,,,,,,,,,,,,
21,2,,X0534007800,, "SWITCH, EMERGENCY",1,,,,,,,,,,,,,,,,,,,,,
22,2,,X9055715000,, RING,1,,,,,,,,,,,,,,,,,,,,,
23,2,,X9490721360,, RING,1,,,,,,,,,,,,,,,,,,,,,
24,2,,X0280210331,, NUT,1,,,,,,,,,,,,,,,,,,,,,
25,2,,X9490138110,, WASHER,1,,,,,,,,,,,,,,,,,,,,,
26,2,,X9490138090,, WASHER,1,,,,,,,,,,,,,,,,,,,,,
27,2,,X9490138100,, WASHER,1,,,,,,,,,,,,,,,,,,,,,
28,2,,X0284525010,, PLATE,1,,,,,,,,,,,,,,,,,,,,,
29,2,,X9490562360,, NUT,1,,,,,,,,,,,,,,,,,,,,,
30,2,,X9490560750,, NUT,2,,,,,,,,,,,,,,,,,,,,,
31,2,,X9490423420,, "BOLT, THROUGH",2,,,,,,,,,,,,,,,,,,,,,
33,2,,X9490065670,, "SCREW M 4X 6 (BS)",2,,,,,,,,,,,,,,,,,,,,,
34,2,,X0280335350,, "COVER SET, TERMINAL",1,,,,,,,,,,,,,,,,,,,,,
35,2,,X1289510130,, NUT,1,,,,,,,,,,,,,,,,,,,,,

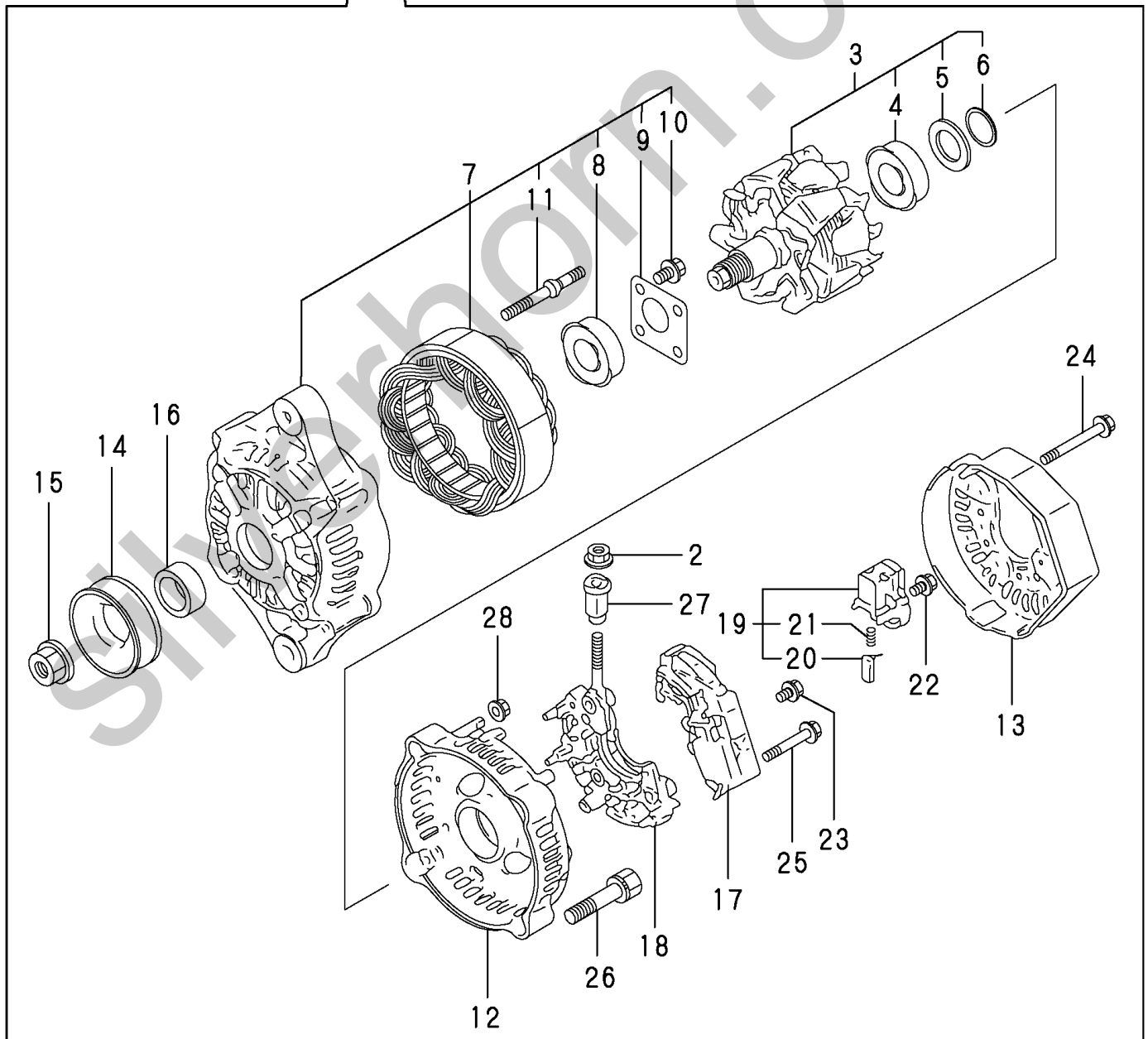
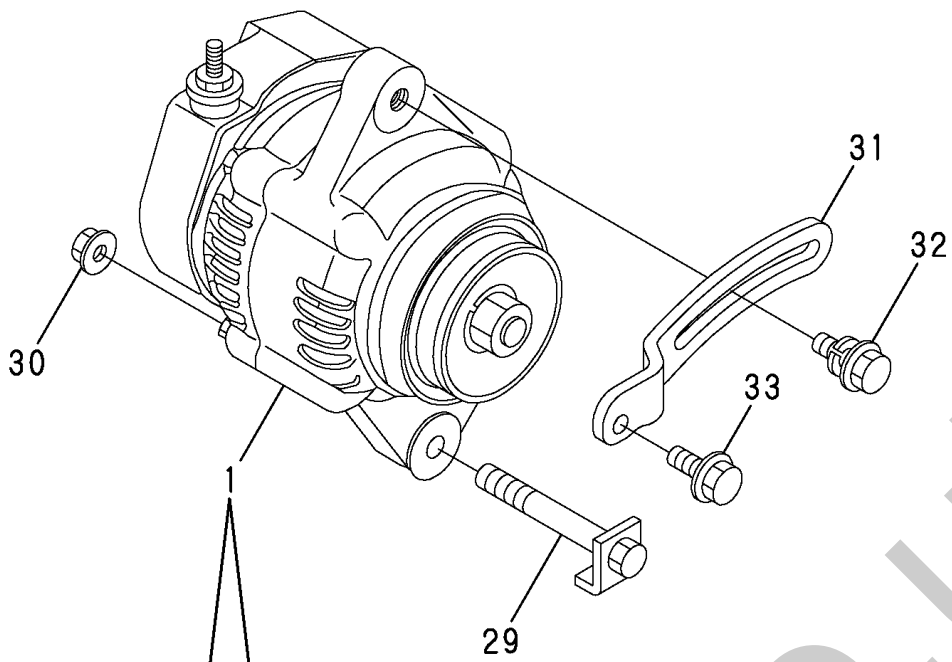


REFER TO Fig. 3



1,1,,129423-77200,,GENERATOR,1,,,,,,,,,,,,,
2,2,,X9490561001,,NUT,1,,,,,,,,,,,,,
3,2,,119620-77380,,,"ROTOR ASSY",1,,,,,,,,,,,,,
4,3,,119620-79240,,,"BALL BEARING",1,,,,,,,,,,,,,
5,3,,119620-79250,,,"COVER, BEARING",1,,,,,,,,,,,,,
6,3,,119620-79360,,,"THRUST WASHER",1,,,,,,,,,,,,,
7,2,,119620-77421,,,"FLAME ASSY, DRIVE",1,,,,,,,,,,,,,
8,3,,119620-79200,,,"BALL BEARING",1,,,,,,,,,,,,,
9,3,,119620-79210,,,"PLATE",1,,,,,,,,,,,,,
10,3,,119620-79220,,,"SCREW",4,,,,,,,,,,,,,
11,3,,119620-79230,,,"BOLT, STUD",2,,,,,,,,,,,,,
12,2,,119620-77440,,,"FLAME ASSY, REAR",1,,,,,,,,,,,,,
13,2,,129423-77450,,,"COVER",1,,,,,,,,,,,,,
14,2,,119620-77461,,,"PULLEY",1,,,,,,,,,,,,,
15,2,,119620-77471,,,"NUT",1,,,,,,,,,,,,,
16,2,,119620-77490,,,"COLLAR",1,,,,,,,,,,,,,
17,2,,129423-77710,,,"REGULATOR ASSY",1,,,,,,,,,,,,,
18,2,,119620-79260,,,"HOLDER",1,,,,,,,,,,,,,
19,2,,119620-79270,,,"HOLDER, BRUSH",1,,,,,,,,,,,,,
20,3,,119620-77480,,,"BRUSH ASSY",2,,,,,,,,,,,,,
21,3,,119620-79280,,,"SPRING",2,,,,,,,,,,,,,
22,2,,119620-79290,,,"SCREW",6,,,,,,,,,,,,,
23,2,,119620-79300,,,"SCREW",1,,,,,,,,,,,,,
24,2,,119620-79310,,,"BOLT",3,,,,,,,,,,,,,
25,2,,119620-79320,,,"SCREW W/WASHER",2,,,,,,,,,,,,,
26,2,,119620-79330,,,"BOLT",2,,,,,,,,,,,,,
27,2,,119620-79340,,,"INSULATION BUSH",1,,,,,,,,,,,,,
28,2,,119620-79350,,,"NUT",2,,,,,,,,,,,,,
29,1,,119740-77250,,,"BOLT, M10X76",1,,,,,,,,,,,,,
30,1,,26306-100002,,,"NUT",1,,,,,,,,,,,,,
31,1,,119717-77330,,,"ADJUSTER, BELT",1,,,,,,,,,,,,,
32,1,,119810-77340,,,"BOLT",1,,,,,,,,,,,,,
33,1,,26106-080202,,,"BOLT M 8X 20 PLATED",1,,,,,,,,,,,,,

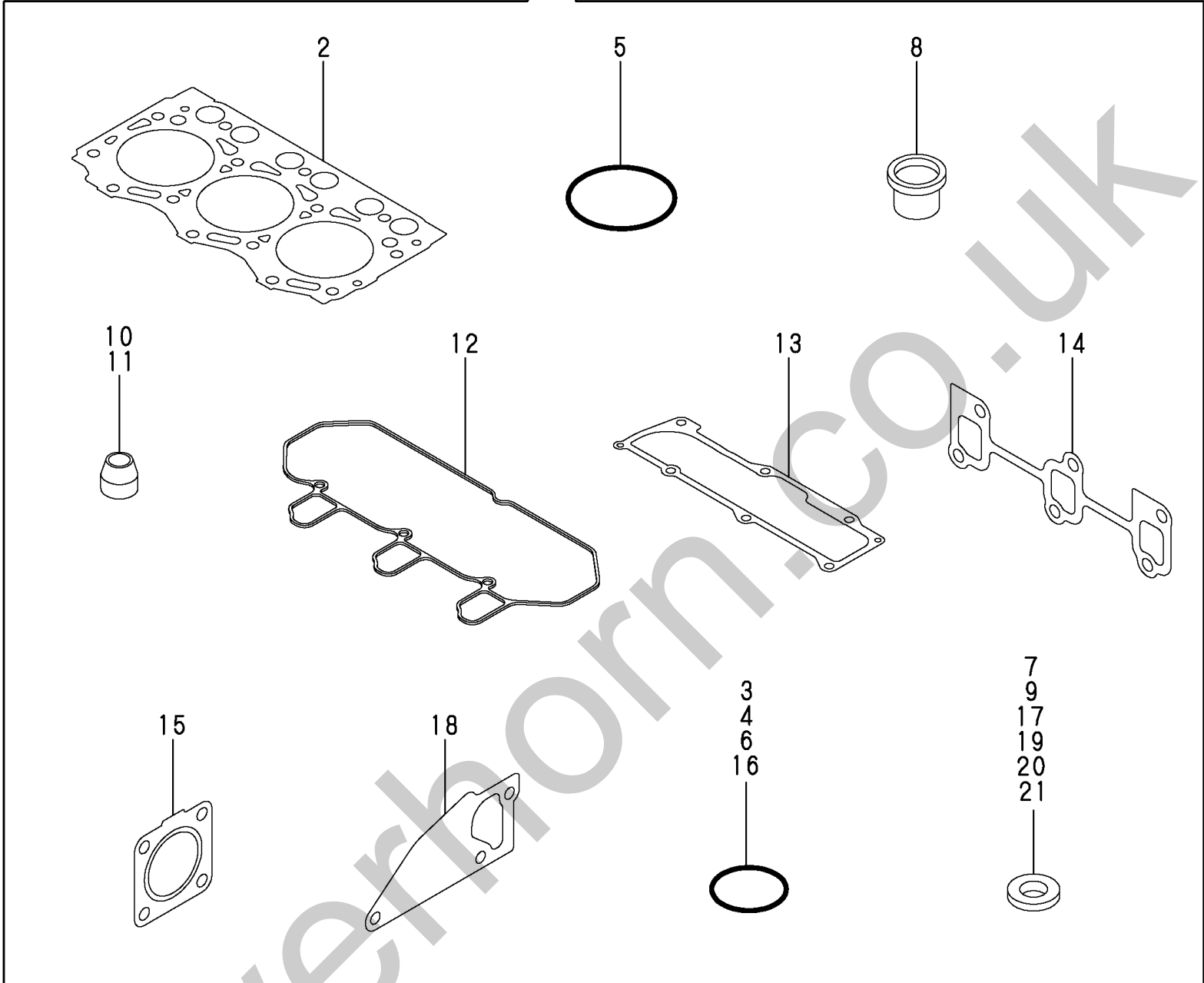




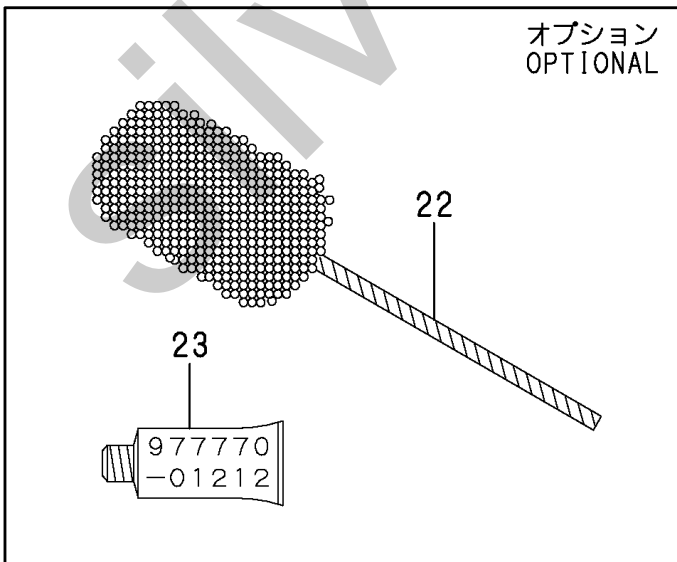
1,1,,719740-92600,, "GASKET SET",1,,,,,1,.....
2,2,,119717-01330,, "GASKET, CYL.HEAD",1,.....
3,2,,119624-32040,, "O-RING P 12.0",1,.....
4,2,,119717-32050,, "O-RING, P17.0",2,.....
5,2,,121850-51960,, "O-RING, F.I.PUMP",1,.....
6,2,,24311-000320,, "O-RING 1A P-32.0",2,.....
7,2,,22190-160002,, "SEAL WASHER 16S",1,.....
8,2,,129901-11450,, "PROTECTOR, NOZZLE",3,.....
9,2,,119600-11460,, "GASKET, NOZZLE",6,.....
10,2,,119717-11340,, "SEAL, VALVE STEM",3,.....
11,2,,119717-11350,, "SEAL, VALVE STEM",3,.....
12,2,,119718-11310,, "GASKET, BONNET",1,.....
13,2,,119717-11331,, "GASKET, BONNET COVER",1,.....
14,2,,119717-13110,, "GASKET, MANIFOLD",1,.....
15,2,,119515-13200,, "GASKET, SILENCER",1,.....
16,2,,119717-32060,, "O-RING, P15.0",1,.....
17,2,,22190-080002,, "SEAL WASHER 8S",4,.....
18,2,,119717-42020,, "GASKET, WATER PUMP",1,.....
19,2,,23414-080000,, "GASKET 8, ROUND",1,.....
20,2,,124465-44950,, "GASKET 16",1,.....
21,2,,129150-49360,, "GASKET 10",1,.....
22,1,,129400-92420,, "FLEX HORN",1,,,,,1,.....
23,1,,977770-01212,, "GASKET, LIQUID",1,,,,,1,.....

Silverhorn.CO.UK

1



オプション
OPTIONAL



0,Y00B7140
1,001,, "ENGINE 3TNV76-PBV"
2,1,, "CYLINDER BLOCK",3TNV76-PBV,,,
2,2,, "GEAR HOUSING",3TNV76-PBV,,,
2,3,, "FLYWHEEL HOUSING & L.O.SUMP",3TNV76-PBV,,,
2,4,, "CYLINDER HEAD & BONNET",3TNV76-PBV,,,
2,5,, "EXHAUST MANIFOLD & SILENCER",3TNV76-PBV,,,
2,6,, "CAMSHAFT & DRIVING GEAR",3TNV76-PBV,,,
2,7,, "CRANKSHAFT & PISTON",3TNV76-PBV,,,
2,8,, "L.O.SYSTEM",3TNV76-PBV,,,
2,9,, "COOLING WATER SYSTEM",3TNV76-PBV,,,
2,10,, "FUEL INJECTION PUMP",3TNV76-PBV,,,
2,11,, "GOVERNOR",3TNV76-PBV,,,
2,12,, "FUEL INJECTION VALVE",3TNV76-PBV,,,
2,13,, "FUEL PIPE",3TNV76-PBV,,,
2,14,, "STARTING MOTOR",3TNV76-PBV,,,
2,15,, "GENERATOR",3TNV76-PBV,,,
2,16,, "GASKET SET & TOOLS",3TNV76-PBV,,,
,

Silverhorn.CO.UK